

BINKS®

BINKS WREN® AIR BRUSHES

MODELS 59-10001 "A", 59-10002 "B", AND 59-10021 "C"*****

OPERATING INSTRUCTIONS



****Models "A" and "C" are discontinued.
(Shown for component replacement only.)**

IMPORTANT! DO NOT DESTROY

It is the customer's responsibility to have all operators and service personnel read and understand this manual.

Contact your local Binks representative for additional copies of this manual.

READ ALL INSTRUCTIONS BEFORE OPERATING THIS BINKS PRODUCT.

In this part sheet, the words **WARNING**, **CAUTION** and **NOTE** are used to emphasize important safety information as follows:

⚠ WARNING

Hazards or unsafe practices which could result in severe personal injury, death or substantial property damage.

⚠ CAUTION

Hazards or unsafe practices which could result in minor personal injury, product or property damage.

NOTE

Important installation, operation or maintenance information.

Read the following warnings before using this equipment.



READ THE MANUAL

Before operating finishing equipment, read and understand all safety, operation and maintenance information provided in the operation manual.



WEAR SAFETY GLASSES

Failure to wear safety glasses with side shields could result in serious eye injury or blindness.



DE-ENERGIZE, DEPRESSURIZE, DISCONNECT AND LOCK OUT ALL POWER SOURCES DURING MAINTENANCE

Failure to De-energize, disconnect and lock out all power supplies before performing equipment maintenance could cause serious injury or death.



OPERATOR TRAINING

All personnel must be trained before operating finishing equipment.



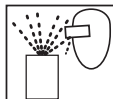
EQUIPMENT MISUSE HAZARD

Equipment misuse can cause the equipment to rupture, malfunction, or start unexpectedly and result in serious injury.



KEEP EQUIPMENT GUARDS IN PLACE

Do not operate the equipment if the safety devices have been removed.



PROJECTILE HAZARD

You may be injured by venting liquids or gases that are released under pressure, or flying debris.



PINCH POINT HAZARD

Moving parts can crush and cut. Pinch points are basically any areas where there are moving parts.



INSPECT THE EQUIPMENT DAILY

Inspect the equipment for worn or broken parts on a daily basis. Do not operate the equipment if you are uncertain about its condition.



NEVER MODIFY THE EQUIPMENT

Do not modify the equipment unless the manufacturer provides written approval.



KNOW WHERE AND HOW TO SHUT OFF THE EQUIPMENT IN CASE OF AN EMERGENCY



PRESSURE RELIEF PROCEDURE

Always follow the pressure relief procedure in the equipment instruction manual.



NOISE HAZARD

You may be injured by loud noise. Hearing protection may be required when using this equipment.



STATIC CHARGE

Fluid may develop a static charge that must be dissipated through proper grounding of the equipment, objects to be sprayed and all other electrically conductive objects in the dispensing area. Improper grounding or sparks can cause a hazardous condition and result in fire, explosion or electric shock and other serious injury.



FIRE AND EXPLOSION HAZARD

Never use 1,1,1-trichloroethane, methylene chloride, other halogenated hydrocarbon solvents or fluids containing such solvents in equipment with aluminum wetted parts. Such use could result in a serious chemical reaction, with the possibility of explosion. Consult your fluid suppliers to ensure that the fluids being used are compatible with aluminum parts.



PROP 65 WARNING

WARNING: This product contains chemicals known to the State of California to cause cancer and birth defects or other reproductive harm.

IT IS THE RESPONSIBILITY OF THE EMPLOYER TO PROVIDE THIS INFORMATION TO THE OPERATOR OF THE EQUIPMENT.

FOR FURTHER SAFETY INFORMATION REGARDING BINKS AND DEVILBISS EQUIPMENT, SEE THE GENERAL EQUIPMENT SAFETY BOOKLET (77-5300).

Proficient use of the air brush is gained only after you thoroughly know the major parts of the air brush and how they operate.

THE MECHANICAL CONTROLS

The **Trigger Button** is the square, chrome-plated button on top of the air brush. This is a single-action control in that it controls only the flow of air. Some air brushes have a double-action trigger button which controls both the flow of air and the amount of fluid being sprayed.

The small, **Knurled Screw** just below the trigger button limits the movement of the trigger button and the flow of air. This screw should be turned down (to the left) as far as it will go. Only when a spatter or stipple effect is desired should the trigger button screw be raised to the position just below the extended trigger button. Experimenting with the screw in different positions will provide a variety of lighter to heavier spatter patterns. The color droplets will increase in size as the screw is turned higher, cutting down the flow of air.

The **Air Intake** is located at the bottom of the air brush in line with the slanted trigger button. Screw the small end of the air hose to the air intake and tighten with fingers until snug.

The **Fluid Control** is located under the front end of the air brush and protrudes into the nozzle. The knurled portion of the fluid control opens or closes the flow of fluid. Turning the control clockwise opens it wider, counter-clockwise closes it.

The **Color Bottle Assembly** has a friction connection which is inserted into the opening at the bottom of the fluid control (see photo), and is fastened with a firm push-and-twist motion. Look for a small vent hole in the lid of the bottle assembly. This hole should be kept open and free of fluid because if it becomes clogged, the flow of air into the bottle is blocked, preventing the flow of color upward into the fluid control.

The **air needed** to operate the air brush can be obtained from portable or larger tank-mounted compressors. The air pressure should be about 38 psi when the air brush is not spraying; it should drop to

about 30 psi when in operation. Be sure that all hose connections are tight to prevent leakage.

USE OF THE AIR BRUSH

The colors to be sprayed, or air brushed, should be thoroughly mixed and free of lumps or pigment or other impurities. It is wise to strain the fluids through a piece of nylon stocking as you pour them into the color bottles. Your colors and paints may have to be thinned down to permit their flow through the air brush.

The air brush should be held much like a pencil, with the index finger operating the trigger button. The air hose should pass below the thumb and over the wrist to keep it out of the way.

Air brushing should be done in short strokes, or bursts. Depress and release the trigger button with each stroke. This will quickly become a habit.

Now you are ready to start. Choose a dark color to spray so you can see what is occurring. First, turn the fluid control counter-clockwise to close it. Hold the air brush about a half-inch from the paper and depress the trigger button. Slowly open the fluid control until a wisp of color appears. It will make a small dot or, as you slowly move your hand, a small, fine line. As you open the fluid control wider, move the air brush back away from the paper and a wider line will be sprayed. Continue experimenting in this manner to learn what can be done with the air brush. The use of stencils or straight edges can quickly give varied and pleasing effects. Highlights and depth are created by air brushing some areas more lightly, or by letting the background colors show through. Stencils can be used for spraying many shapes.

TO DISASSEMBLE THE AIR BRUSH

1. Air Inlet Section (see exploded drawing, pg. 3)
 - a. Remove plunger (11) with special wrench, or a very small screwdriver, which releases the trigger (3) and spring (14).
 - b. Remove the housing (10) with special wrench, or a hex wrench. Pick out washer (13) and gasket packing (12) with straightened paper clip.

NOTE

When reassembling, dip washer and gasket in vaseline or clear lubricant, and place on top of housing and insert preassembled.

2. Fluid Control or Nozzle Section (see exploded drawing, pg. 3)
 - a. Remove the needle portion of control with special wrench, or a hex wrench.
 - b. Remove nut (9) from nozzle portion with larger blade of special wrench.
 - c. Pick out packing (6) with straightened paper clip. (Dip in vaseline or clear lubricant when reassembling.)

NOTE

If air brush spits moisture, (especially in humid weather or in an air conditioned room) a moisture trap is recommended.

OPERATION

THINNING FLUIDS

Fluids that may be sprayed with the air brush range from light, or water-type consistency to heavy, or enamel-type consistency. It is most desirable that the fluid be of a viscosity that is sprayable, provides adequate coverage and yet will not run or sag. To achieve this, reduction, or thinning of the fluid may be necessary. When and how to correctly reduce or thin fluids is a matter of judgement and common sense.

STRAINING FLUIDS

Since the fluid orifices in the air brush are extremely small, it is essential that the fluid to be sprayed be free of foreign particles. It is recommended that fluids be strained through a piece of nylon stocking or similar mesh cloth before use.

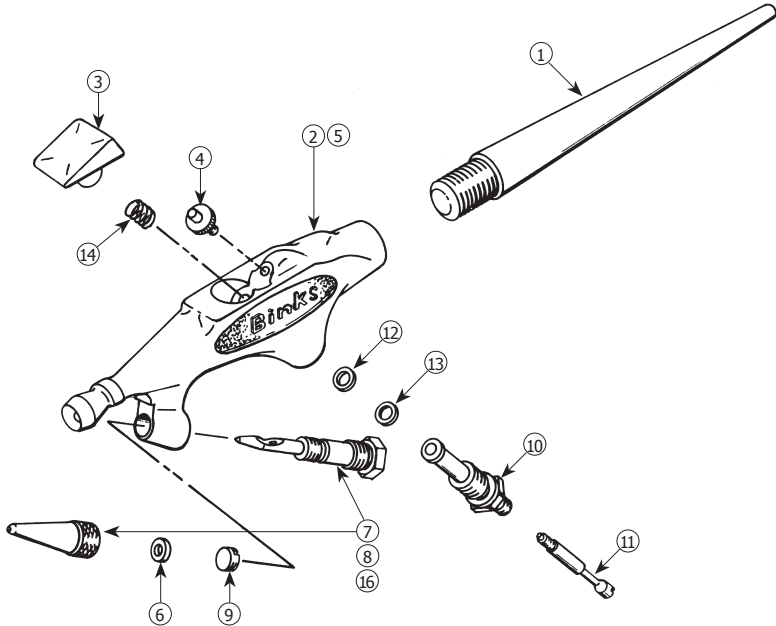
CLEANING

Ninety-five percent of breakdowns in the operation of the Wren Air Brush are directly due to not keeping the air brush clean at all times, especially after each use. When using fast-drying fluids, such as lacquers, underglazes, etc. which will set up in five to ten minutes, it may be necessary to clean or immerse the fluid control end of the air brush in compatible solvent during intermittent use.

BINKS WREN® AIR BRUSHES

MODELS 59-10001 "A"**, 59-10002 "B", AND 59-10021 "C"***

**MODELS "A" AND "C" ARE DISCONTINUED – SHOWN FOR COMPONENT REPLACEMENT ONLY.



ITEM NO.	PART NO.	DESCRIPTION	QTY.
1	■	HANDLE (5-137)	1
2	■	BODY (WREN "B") (59-2)	1
3	59-3	TRIGGER BUTTON	1
4	■ *	AIR VALVE SCREW (59-4)	1
5	■	BODY (WREN "C") (59-5)	1
6	59-8 *	FLUID CONTROL PACKING	1
7	59-9	FLUID CONTROL ASSEMBLY (WREN "A" .0292)	1
8	59-10 ▲	FLUID CONTROL ASSEMBLY (WREN "B" .052)	1
9	■ *	PACKING RETAINER NUT (59-13)	1
10	59-20	AIR VALVE HOUSING	1
11	■ *●	AIR VALVE PLUNGER	1
12	■ *	AIR VALVE PACKING	1
13	■ *	AIR VALVE WASHER (59-23)	1
14	■ *	AIR VALVE SPRING (59-24)	1
15	■ *	WRENCH-SPECIAL (59-83) (NOT SHOWN)	1
16	59-101 ▲	FLUID CONTROL ASSEMBLY (WREN "C" .0595)	1

■ NOT AVAILABLE AS INDIVIDUALLY PURCHASED PARTS.

* PARTS INCLUDED IN 59-102 REPAIR KIT.

▲ MODELS "B" OR "C" CONTROLS ARE INTERCHANGEABLE. THE "A" CONTROL CAN ALSO BE USED ON THE "B" AND "C" BODY. DO NOT USE "B" OR "C" CONTROL WITH "A" BODY.

● **IMPORTANT**—ALWAYS REMOVE NO. 59-21 PLUNGER BEFORE REMOVING NO. 59-20 HOUSING.

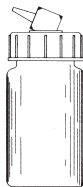
ACCESSORIES

HOSES



59-60 Vinyl Hose Assembly 6'
59-61 Braided Hose Assembly 6'

SIPHON BOTTLE ASSEMBLIES



59-81
2 oz.



59-31
1/2 oz.



59-30
1/4 oz.



59-1006 WREN "B" SET

Includes air brush, 1/4, 1/2 and 2 fluid oz. color bottle assemblies and 59-60 (6') light-weight vinyl hose with connections, packed in an attractive, clear plastic case.

TROUBLESHOOTING

BINKS WREN® AIR BRUSHES – MODELS 59-10001 “A”, 59-10002 “B”, AND 59-10021 “C”

COMPLAINT	CAUSE	REMEDY
AIR BRUSH DOES NOT SPRAY	Insufficient air supply.	Increase air supply—requires 28 psi to operate “A” brush, and 30 psi to operate “B” and “C” brushes.
	Clogged vent hole in cover of bottle.	Carefully clean out hole with pin.
	Clogged fluid control.	Disassemble fluid control and soak in compatible solvent; clean out soft paint with care.
	Clogged air passage.	Remove air valve plunger with a jeweler’s screwdriver, or the screwdriver end of the 59-83 wrench, before attempting to remove housing. Clean out passages with broomstraw or similar probe. Blow air through to ensure orifices are open.
	Excessively heavy fluid.	Reduce fluid viscosity with compatible solvent.
AIRBRUSH SPITS OR SPURTS	Air is bypassing the packing in fluid control.	Remove the fluid control retainer nut and packing with the 59-83 wrench or small, wide-blade screwdriver. Replace packing, and also retainer nut, if necessary.
TRIGGER BUTTON WON’T FUNCTION PROPERLY	Trigger button spring has lost its tension.	Remove air valve plunger with a jeweler’s screwdriver, or the screwdriver end of the 59-83 wrench, which releases trigger button and spring. Replace spring. (Temporary repair can be made by stretching the spring).

Note: Model 59-102 Repair Kit is available. It contains the special tool, 59-83 wrench, for complete disassembly of the air brush and an assortment of parts.

WARRANTY POLICY

Binks products are covered by Finishing Brands one year materials and workmanship limited warranty. The use of any parts or accessories, from a source other than Finishing Brands, will void all warranties. For specific warranty information please contact the closest Finishing Brands location listed below.

Finishing Brands reserves the right to modify equipment specifications without prior notice. DeVilbiss®, Ransburg®, BGK®, and Binks® are registered trademarks of Carlisle Fluid Technologies, Inc., dba Finishing Brands. ©2015 Carlisle Fluid Technologies, Inc., dba Finishing Brands. All rights reserved.



Binks is part of Finishing Brands, a global leader in innovative spray finishing technologies. For technical assistance or to locate an authorized distributor, contact one of our international sales and customer support locations below.

USA/Canada

www.binks.com
info@carlisleleft.com
Tel: 1-800-992-4657
Fax: 1-888-246-5732

Mexico

www.carlisleleft.com.mx
ventas@carlisleleft.com.mx
Tel: 011 52 55 5321 2300
Fax: 011 52 55 5310 4790

Brazil

www.devilbiss.com.br
vendas@carlisleleft.com.br
Tel: +55 11 5641 2776
Fax: 55 11 5641 1256

United Kingdom

www.finishingbrands.eu
info@carlisleleft.eu
Tel: +44 (0)1202 571 111
Fax: +44 (0)1202 573 488

France

www.finishingbrands.eu
info@carlisleleft.eu
Tel: +33(0)475 75 27 00
Fax: +33(0)475 75 27 59

Germany

www.finishingbrands.eu
info@carlisleleft.eu
Tel: +49 (0) 6074 403 1
Fax: +49 (0) 6074 403 281

China

www.finishingbrands.com.cn
mkt@carlisleleft.com.cn
Tel: +8621-3373 0108
Fax: +8621-3373 0308

Japan

www.ransburg.co.jp
overseas-sales@carlisleleft.co.jp
Tel: 081 45 785 6421
Fax: 081 45 785 6517

Australia

www.finishingbrands.com.au
sales@carlisleleft.com.au
Tel: +61 (0) 2 8525 7555
Fax: +61 (0) 2 8525 7500

