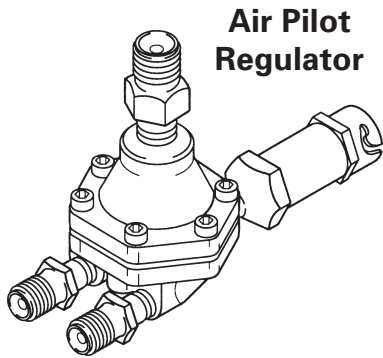




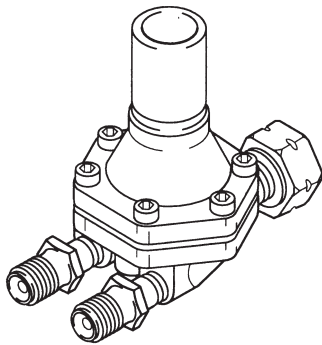
HGS STAINLESS STEEL FLUID REGULATORS

IMPORTANT: Read and follow all instructions and safety precautions before using this equipment. Retain for future reference.

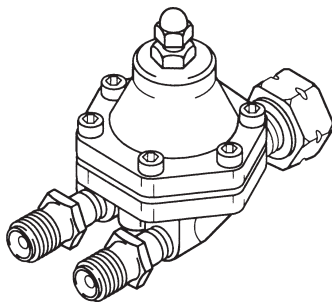


Air Pilot Regulator

Tamper Resistant Regulator



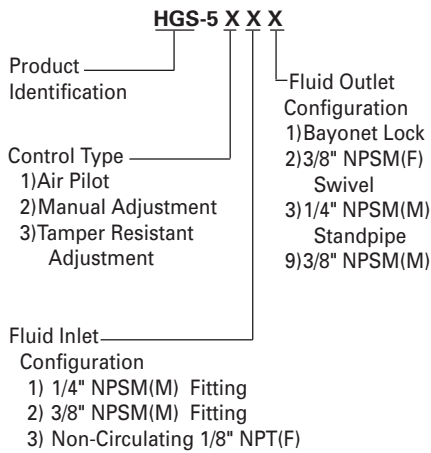
Manual Regulator



GENERAL

This service bulletin covers installation, operation, preventive maintenance, parts replacement, and accessory items for HGS Fluid Regulators.

MODEL IDENTIFICATION



DESCRIPTION

HGS Fluid Regulators provide regulation of fluid to the spray gun without stopping the flow of material which can cause settling of pigmented materials.

NOTE

These regulators may be used with materials containing chlorinated solvents.



PROP 65 WARNING

WARNING: This product contains chemicals known to the State of California to cause cancer and birth defects or other reproductive harm.

MODEL CHART

MODELS

- HGS-5112
- HGS-5113
- HGS-5122
- HGS-5132
- HGS-5133
- HGS-5211
- HGS-5212
- HGS-5221
- HGS-5222
- HGS-5231
- HGS-5232
- HGS-5233
- * HGS-5239
- ** HGS-5242
- HGS-5312
- HGS-5313
- HGS-5321

	CONTROL			FLUID INLET				FLUID OUTLET			
	Air Pilot	Manual Adjust.	Tamper Res.	1/4" NPSM(M)	3/8" NPSM(M)	1/8" NPT(F)	3/8" NPSM(F)	Bayonet	3/8" Swivel	Stand-pipe	3/8" NPSM(M)
HGS-5112	●										
HGS-5113	●										
HGS-5122	●				●						
HGS-5132	●					●					
HGS-5133	●						●				
HGS-5211		●						●			
HGS-5212		●			●				●		
HGS-5221		●				●					
HGS-5222		●				●			●		
HGS-5231		●					●				
HGS-5232		●					●				
HGS-5233		●					●			●	
* HGS-5239		●					●				●
** HGS-5242		●					●			●	
HGS-5312			●						●		
HGS-5313			●							●	
HGS-5321			●					●			

* Manual, non-circulating, single gun fluid regulator, primarily used in conjunction with fluid pumps or dead end systems.

** Manual, non-circulating, can be attached to gun inlet or in line. **Note:** If used in color change applications or with catalyzed materials, plug (24) must be removed and the threads cleaned periodically.

SAFETY PRECAUTIONS

This manual contains information that is important for you to know and understand. This information relates to **USER SAFETY** and **PREVENTING EQUIPMENT PROBLEMS**. To help you recognize this information, we use the following symbols. Please pay particular attention to these sections.

WARNING

Important safety information -- a hazard that may cause serious injury or loss of life.

CAUTION

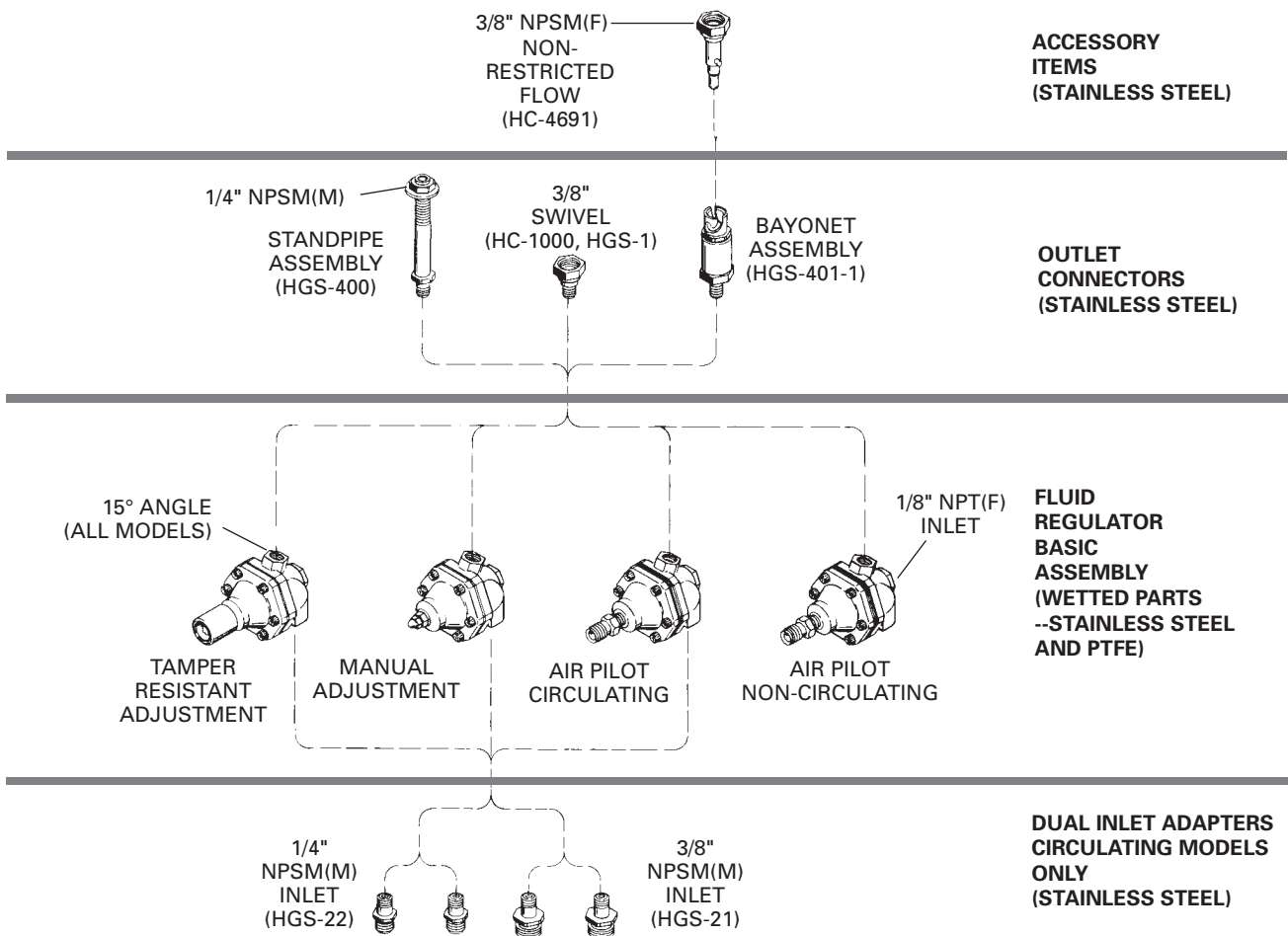
Important information that tells how to prevent damage to equipment, or how to avoid a situation that may cause minor injury.

NOTE

Information that you should pay special attention to.

MODEL NUMBER TO REGULATOR BODY CROSS REFERENCE CHART

Model Number	Body Number (Less Fittings)
HGS-5112, HGS-5113, HGS-5122	HGS-452
HGS-5132, HGS-5133	HGS-453
HGS-5211, HGS-5212, HGS-5221, HGS-5222	HGS-451
HGS-5231, HGS-5232, HGS-5233, HGS-5239	HGS-455
HGS-5312, HGS-5313, HGS-5321	HGS-450
HGS-5242	HGS-461



TECHNICAL DATA

	PSI	(bar)
Fluid Inlet Pressure Min. Max.	50 300	(3.5) (20.7)
Regulated Fluid Pressure Range Min. Max.	2 100	(0.14) (6.9)
*Typical Flow Rates 150 to 2500 cc's/minute		
	oz's	(grams)
Average Unit Weight Models - Swivel	7.3	(210)
- Tamper Resist	7.9	(225)
- Standpipe	9.3	(265)
- Bayonet	9.7	(275)
Fluid	oz's	(ml)
Static Content Models - Circulating	0.25	(7)
- Non-circulating	0.20	(5)
Wetted Parts	303 and 416 Stainless Steel, PTFE	
Models	17 models offered as standard	

*Dependent upon viscosity and specific gravity of material. Above information based upon testing with mineral oil with viscosity of 24 seconds #4 Ford, and specific gravity of 0.84.

®Registered trademark of Dupont.

INSTALLATION

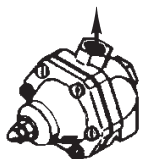
WARNING

Risk of hazardous bursting or equipment damage. Do not exceed 300 PSI (21 bar) maximum fluid inlet pressure to regulator.

CAUTION

These regulators may be used with most common coating and finishing materials. However, they are not designed for use with highly abrasive materials. If used with abrasive materials, frequent and thorough cleaning will be required, and replacement of parts will be increased.

- Where possible, mount the HGS regulator as shown below with the fluid outlet facing up. This will prevent trapped air from causing erratic operation. Trapped air can result from an "air push" during a color change cycle, or entrapped air in the paint.



Fluid outlet should face upward.

- Connect fluid inlet supply hose.

Circulating Models

Connect the fluid supply hose to either fluid inlet adapter (53 or 54). Connect the return line to the other adapter (53 or 54).

Non-Circulating Models

Connect the fluid supply hose to inlet of plug (23 or 40).

- Connect fluid outlet.

Bayonet Regulators

Attach the bayonet lock body (41) to the bayonet quick disconnect stem at the spray gun fluid inlet.

3/8" Swivel Regulators

Thread swivel nut (49) onto fluid inlet of spray gun body.

Standpipe Regulators

Attach fluid supply hose from spray gun to bulkhead fitting (52).

- Connect air inlet.

Air Pilot Regulators

Attach regulated air supply to connector (25).

OPERATION

WARNING

Risk of hazardous bursting or equipment damage. Do not exceed 300 PSI (21 bar) maximum fluid inlet pressure to regulator.

Fluid pressure adjustment range is from 2 psi to 100 psi (0.1 bar to 6.9 bar). Fluid pressure to regulator inlet is 300 psi (20.7 bar) maximum and 50 psi (3.5 bar) minimum.

To Regulate Fluid Pressure on Manual Adjust Models

- Remove cap nut (1) and loosen lock nut (2).
- With a 3/32 inch hex key allen wrench, adjust hex key allen set screw (3) for desired pressure setting. Turn set screw (3) clockwise to increase and counterclockwise to decrease pressure.
- Retighten lock nut (2) after desired pressure setting has been established. Replace and tighten cap nut (1).

To Regulate Fluid Pressure on Tamper Resistant Models

- Using T-handle (4B), loosen lock (6).
- Engage adjusting screw (5) with torx key (4A) and turn adjusting screw until desired pressure setting is reached. Turn torx key clockwise to increase pressure and counterclockwise to decrease pressure.
- Using the torx key, hold adjusting screw (5) from turning and tighten lock (6) with the T-handle (4B).

To Regulate Fluid Pressure on Air Pilot Models

Fluid pressure is controlled by means of air pressure. **To actuate fluid flow, a minimum of 12-14 psi air pressure must be applied to the bonnet.** Attach one end of regulated air line to connector (25) and the other end of the air line to a remote regulator. Increase air pressure to increase fluid pressure, and decrease air pressure to decrease fluid pressure.

Fluid pressure remains constant unless air pilot regulator setting is altered.

PREVENTIVE MAINTENANCE

Cleaning

CAUTION

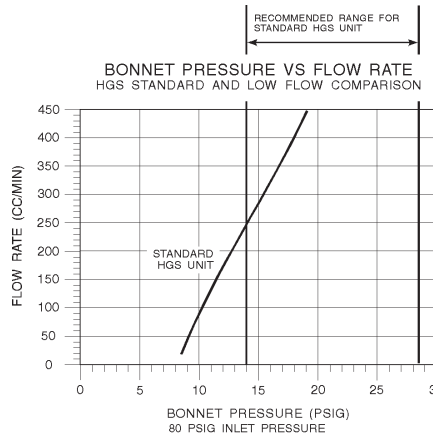
Total submersion of the fluid regulator in solvent for cleaning purposes will shorten the life expectancy of the diaphragm.

The frequency with which the fluid regulator should be cleaned will be the same as the rest of the system in which it is being used.

Bayonet Models

When spray gun is removed from service and fluid regulator is not going to be used for a period of time, the bayonet end should immediately be soaked in solvent. **Do not submerge the entire regulator.**

This will avoid hardening of material around the ball and seat which may cause leakage when regulator is put back in service. The soaking container should be an approved closed container if hazardous solvents are used.



TEST MATERIAL
MINERAL OIL
SPECIFIC GRAVITY = 0.855
VISCOSITY = 24 SEC.
FORD #4

MANUAL FLUID REGULATOR BODY ASSEMBLIES HGS-450, HGS-451, HGS-455, HGS-461

Ref. No.	Replacement Part No.	Description	Ind. Parts Req.
1	---	Cap Nut #10-32	1
2	---	Nut #10-32	1
3	---	Hex Key Allen Set Screw, #10-32 x 3/4"	1
#4	KK-5047	T-Handle Kit (Order Separately)	
4A	---	Torx Key	1
4B	---	T-Handle	1
5	---	Torx Screw 10-32 Thd.	1
6	HGS-36	Lock	1
7	HGS-34	Guard	1
8	SSF-3169-K6	Socket Head Cap Screw, S.S. #8-32 x 3/8" (Kit of 6)	6
9	HGS-5	Bonnet	1
10	HGS-28	Adjustment Seat	1
11	HGS-30	Regulator Spring	1
*12	---	Hex Nut #6-32	1
*13	---	Upper Plate	1
*14	HGS-12-K5	Gasket (Kit of 5)	1
*15	HGS-20-1	Diaphragm, PTFE	1
*16	SSN-57	Washer, PTFE	1
17	SSN-54	Flat Washer	1
18	HGS-8	Regulator Body, Non-Circulating	1
	HGS-59	Regulator Body, Non-circulating, for Model HGS-5242	1
19	HGS-7	Regulator Body, Circulating	1
*20	HGS-43-K5	Valve Seat, PTFE, Std. Flow (Kit of 5)	1
21	HGS-44	Valve Stem, Std Flow	1
*22	SSG-8144	O-ring, PTFE	1
23	HGS-27	Plug, Non-Circulating	1
+24	HGS-26	Plug, Circulating	1
*	QH-130	Loctite	1

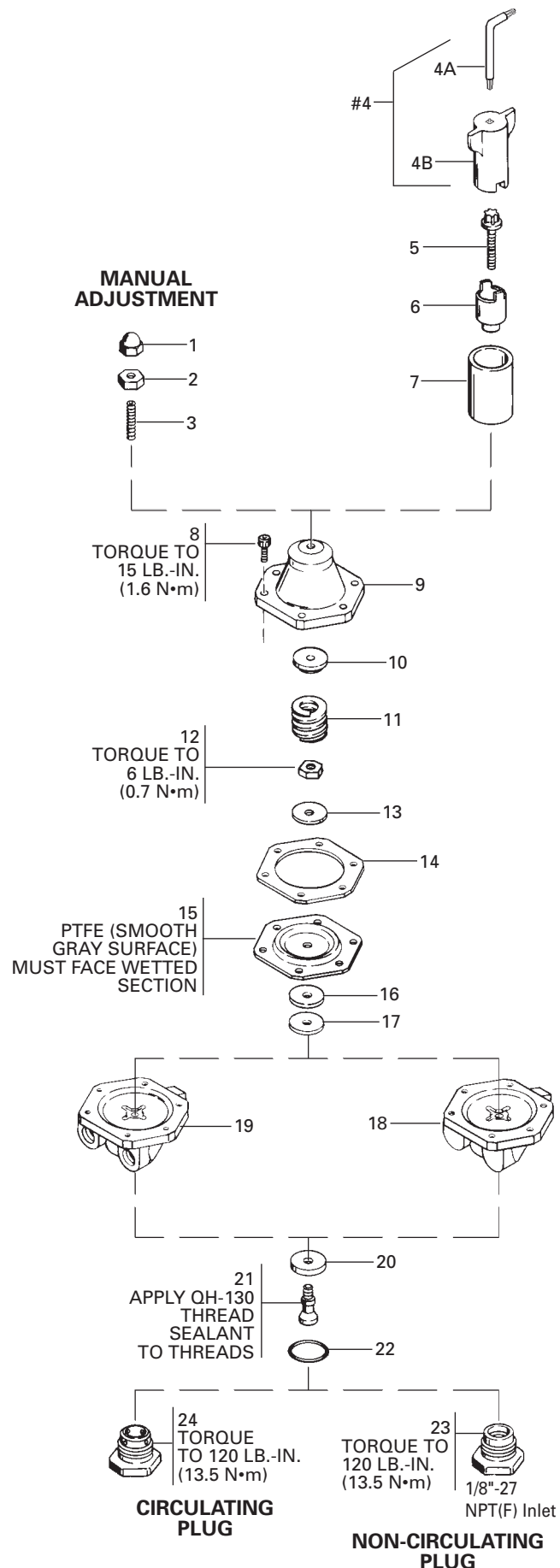
Dual Inlet Fittings supplied with regulator (see page 8).
 Manual Adjustment Fluid Regulator includes items 1 through 3 and 8 through 24.
 Tamper Resistant Fluid Regulator includes items 5 through 24.

To maintain the "tamper-proof" security feature, the KK-5047 T-Handle is not included with each regulator, as one T-Handle will service multiple regulators.

NOTE: KK-5047 T-Handle must be purchased separately.

Suffix -K5 designates kits of multiple parts.
 * Parts included in Regulator Repair Kit KK-4456 (Std Flow).
 + HGS-5242 Model uses the circulating plug.

TAMPER RESISTANT



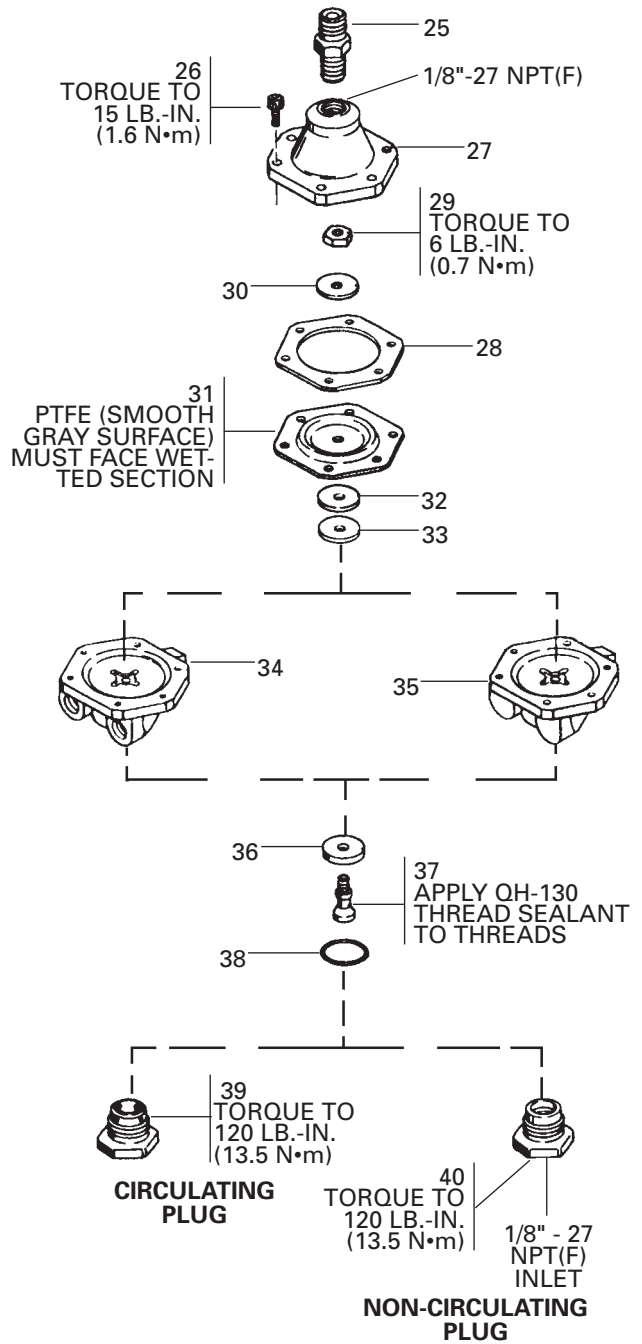
AIR PILOT FLUID REGULATOR BODY ASSEMBLIES HGS-452 AND HGS-453

Ref. No.	Replacement Part No.	Description	Ind. Parts Req.
25	H-1766	Connector 1/8" NPT(M) x 1/4" NPSM(M)	1
26	SSF-3169-K6	Socket Head Cap Screw, S.S. #8-32 x 3/8" (Kit of 6)	6
27	HGS-4	Bonnet	1
*28	HGS-12-K5	Gasket (Kit of 5)	1
*29		Hex Nut #6-32	1
*30		Upper Plate	1
*31	HGS-20-1	Diaphragm, PTFE	1
*32	SSN-57	Washer, PTFE	1
33	SSN-54	Flat Washer	1
34	HGS-7	Regulator Body, Circulating	1
35	HGS-8	Regulator Body, Non-Circulating	1
*36	HGS-43-K5	Valve Seat, PTFE (Kit of 5)	1
37	HGS-44	Valve Stem	1
*38	SSG-8144	O-ring, PTFE	1
39	HGS-26	Plug, Circulating	1
40	HGS-27	Plug, Non-Circulating	1
*	QH-130	Loctite	1

Dual Inlet Fittings supplied with regulator (see page 8).
 Air Pilot Fluid Regulator, Circulating, includes items 25 through 34 and 36 through 39.

Air Pilot Fluid Regulator, Non-Circulating, includes items 25 through 33, 35 through 38 and 40.

Suffix -K5 designates kits of multiple parts.
 *Parts included in Regulator Repair Kit KK-4456.

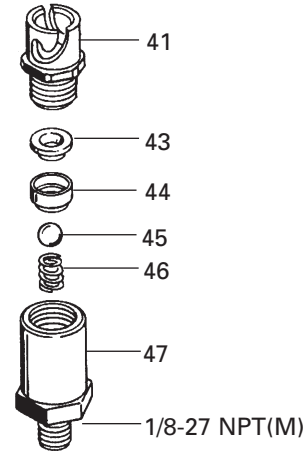


FLUID OUTLET CONNECTORS

Ref. No.	Replacement Part No.	Description	Ind. Parts Req.
41	HC-370-1	Bayonet Lock Body	1
42	---	Not Used	
*43	---	Stem Seal	1
*44	---	Ball Seat	1
*45	---	Stainless Steel Ball 7/16" Diameter	1
*46	---	Spring	1
47	HGS-25	Bayonet Body	1

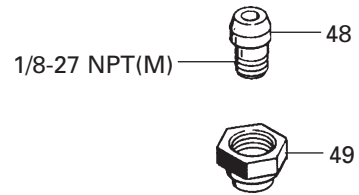
*KK-5061 Repair Kit

HGS-401-1 Bayonet Assembly



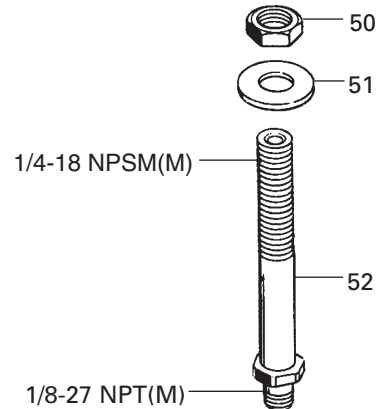
Ref. No.	Replacement Part No.	Description	Ind. Parts Req.
48	HGS-1	Tail Piece	1
49	HC-1000-K5	Swivel Nut 3/8" NPS(F) (Kit of 5)	1

Swivel Adapter



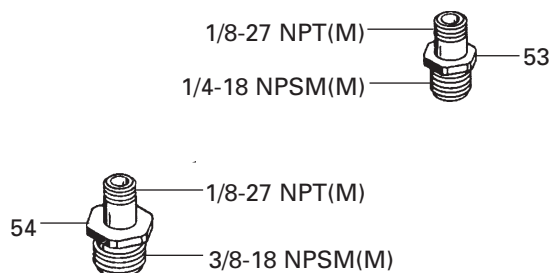
Ref. No.	Replacement Part No.	Description	Ind. Parts Req.
50	MBD-11-K5	Lock Nut (Kit of 5)	1
51	---	Lock Washer, Shake- Proof, 9/16)	1
52	---	Bulkhead Fitting	1

HGS-400 Stand Pipe



FLUID INLET ADAPTERS

Ref. No.	Replacement Part No.	Description	Ind. Parts Req.
53	HGS-22	1/4" Stainless Steel Inlet Adapter	2
54	HGS-21	3/8" Stainless Steel Inlet Adapter	2



NOTE

Use a PTFE based thread sealant on the threads of inlet adapters (53 and 54), and threads of fittings on outlet connectors (47, 48 and 52).

WARNING

Pressurized parts cause a risk of injury if disassembled. Shut off and relieve pressure before disconnecting hoses from the fluid regulator.

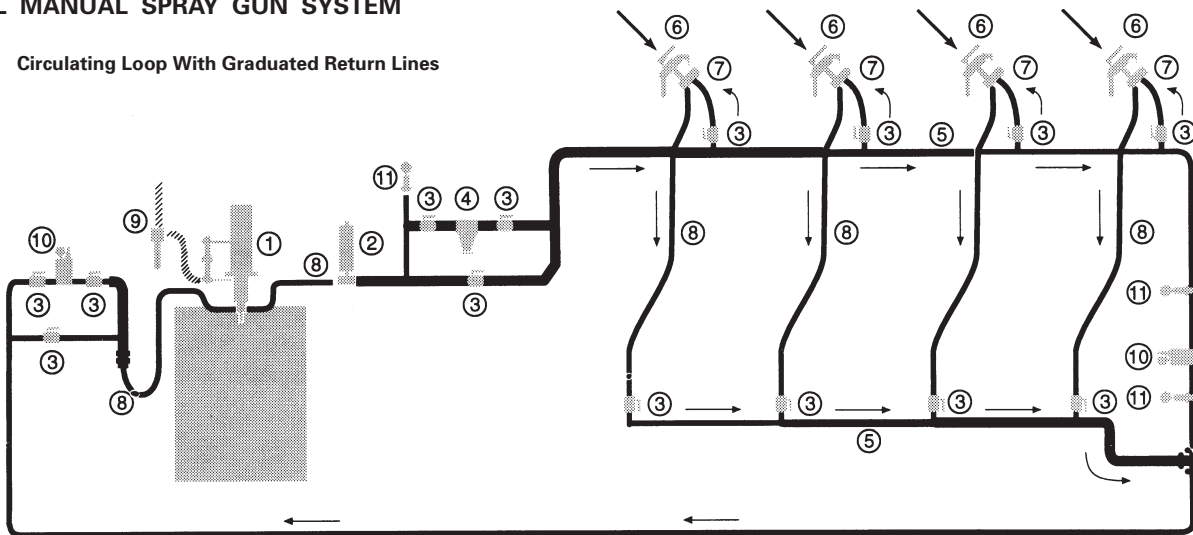
Cleaning or servicing is required if the regulator does not: regulate fluid, maintain its pressure setting, or leaks fluid. To service regulator, relieve pressures, disconnect regulator from spray gun and hoses from regulator. Disassemble regulator; refer to exploded views. Clean and inspect parts carefully. Replace worn or damaged parts and reassemble regulator.

TROUBLESHOOTING CHART

PROBLEM	CAUSE	REMEDY
No flow or insufficient pressure regulation	Plugged fluid path Defective diaphragm	Disassemble and clean fluid passages. Replace diaphragm (Ref. 15 or 31).
Excessive fluid flow	Worn seat Worn stem Material viscosity low	Replace seat (Ref. 20 or 36). Replace stem (Ref. 21 or 37). Check material viscosity.
Material leaking under bonnet	Bonnet screws (SSF-3169) have come loose	Check screw torque. specifications.
Pressure creep	Foreign material or dirt on seat or stem Worn seat Worn stem	Clean seat and stem. Replace seat (Ref. 20 or 36). Replace stem (Ref. 21 or 37).
Erratic fluid pressure	Air trapped in regulator body	Mount regulator in a vertical position; input port at bottom, output port at top.

TYPICAL MANUAL SPRAY GUN SYSTEM

Circulating Loop With Graduated Return Lines

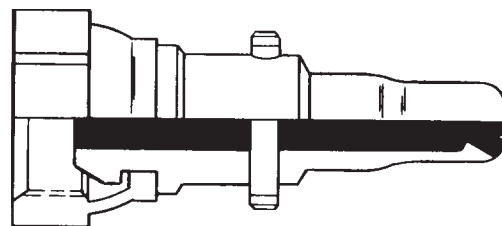


- ① Pump Assembly/Low Ratio
- ② Pulsation Chamber
- ③ Fluid Shut-Off Valve
- ④ Filter/Fluid Outlet
- ⑤ Graduated Supply and Returns Lines
- ⑥ Air Atomized Spray Gun/Manual or Automatic
- ⑦ Gun Mounted, HGS Fluid Regulator
- ⑧ Fluid Hose Assembly
- ⑨ Oil and Moisture Separator/Extractor Dryer
- ⑩ Back Pressure Regulator/Low Pressure
- ⑪ Pulsation Proof Gauge

ACCESSORY ITEMS

HC-4691 — 3/8" NPSM(F) STEM, STAINLESS STEEL

Unrestricted fluid passage, for use with standard spray gun.



WARRANTY POLICY

DeVilbiss products are covered by Finishing Brands one year materials and workmanship limited warranty. The use of any parts or accessories, from a source other than Finishing Brands, will void all warranties. For specific warranty information please contact the closest Finishing Brands location listed below.

Finishing Brands reserves the right to modify equipment specifications without prior notice. DeVilbiss®, Ransburg®, BGK®, and Binks® are registered trademarks of Carlisle Fluid Technologies, Inc., dba Finishing Brands. ©2015 Carlisle Fluid Technologies, Inc., dba Finishing Brands. All rights reserved.



DeVILBISS

DeVilbiss is part of Finishing Brands, a global leader in innovative spray finishing technologies. For technical assistance or to locate an authorized distributor, contact one of our international sales and customer support locations below.

USA/Canada

www.devilbiss.com
info@carlisleleft.com
Tel: 1-800-992-4657
Fax: 1-888-246-5732

Mexico

www.carlisleleft.com.mx
ventas@carlisleleft.com.mx
Tel: 011 52 55 5321 2300
Fax: 011 52 55 5310 4790

Brazil

www.devilbiss.com.br
vendas@carlisleleft.com.br
Tel: +55 11 5641 2776
Fax: 55 11 5641 1256

United Kingdom

www.finishingbrands.eu
info@carlisleleft.eu
Tel: +44 (0)1202 571 111
Fax: +44 (0)1202 573 488

France

www.finishingbrands.eu
info@carlisleleft.eu
Tel: +33(0)475 75 27 00
Fax: +33(0)475 75 27 59

Germany

www.finishingbrands.eu
info@carlisleleft.eu
Tel: +49 (0) 6074 403 1
Fax: +49 (0) 6074 403 281

China

www.finishingbrands.com.cn
mkt@carlisleleft.com.cn
Tel: +8621-3373 0108
Fax: +8621-3373 0308

Japan

www.ransburg.co.jp
overseas-sales@carlisleleft.co.jp
Tel: 081 45 785 6421
Fax: 081 45 785 6517

Australia

www.finishingbrands.com.au
sales@carlisleleft.com.au
Tel: +61 (0) 2 8525 7555
Fax: +61 (0) 2 8525 7500

DeVILBISS
AUTOMOTIVE REFINISHING

DeVilbiss Automotive Refinishing is part of Finishing Brands, a global leader in innovative spray finishing technologies. For technical assistance or to locate an authorized distributor, contact one of our sales and customer support locations below.

USA/Canada

www.autorefinishdevilbiss.com
askus@carlisleleft.com
Toll Free Tel: 1-800-445-3988
Toll Free Fax: 1-800-445-6643

Mexico

www.autorefinishdevilbiss.com.mx
Toll Free Tel: 1-888-835-6232 USA



DeVILBISS



Ransburg



BGK



BINKS



Finishing Brands®

A CARLISLE COMPANY