

### HAR-502, HAR-505, HAR-535 AND \*HAR-555 AIR REGULATORS

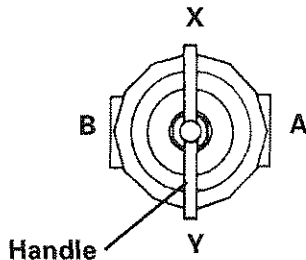
#### DESCRIPTION

HAR Regulators provide regulation of air pressure from the incoming air supply to the point of use. See Figure 1 for port information.

#### SPECIFICATIONS

Regulated Pressure Range	0-125 psi
Maximum Input Pressure	250 psi
Capacity	40 scfm
Maximum Operating Temperature	120°F

Figure 1



	HAR-502	HAR-505	HAR-535	HAR-555
<b>Locations</b>				
Inlet	A	A	A	A
Outlet Main Line Regulated	B X, Y	— B, X, Y	X B, Y*	X, Y B
<b>Thread Sizes</b>				
1/4 NPT(F)	A, B, X, Y	A, B, X, Y	X, Y	X, Y
3/8 NPT(F)			A, B	A
1/2 NPT(F)				B

\*This "Y" port has restricted flow for gauge use only.

#### INSTALLATION



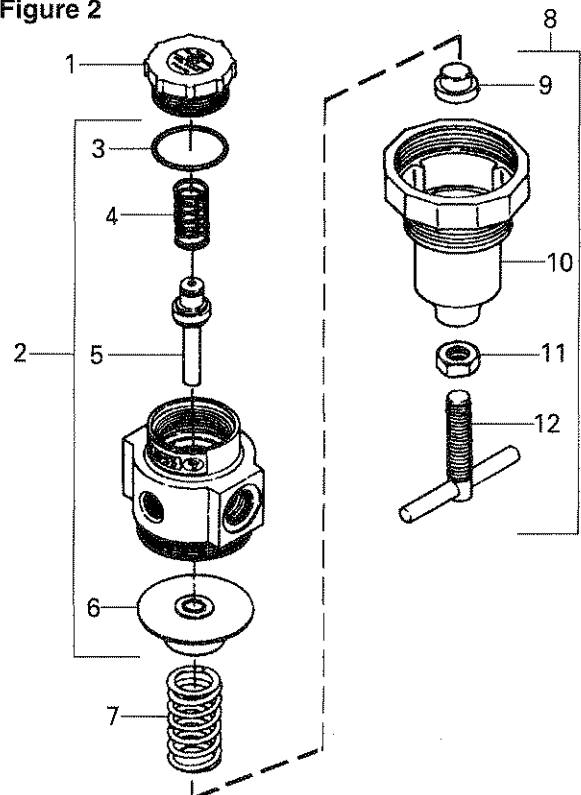
To avoid a blast of air when installing or removing regulator, always turn off air supply and bleed off air in the tank by turning the air relief valve thumb screw counterclockwise. Wait until all the air has escaped before removing regulator.

Before installing, blow out pipe line to remove scale and other foreign matter. This unit has dry seal pipe threads; use pipe compound or tape sparingly on male threads only. Install regulator so that air will flow in direction of arrow stamped on body; install as near as possible to equipment serviced.

#### PARTS LIST

Ref. No.	Replacement Part No.	Description	Ind Parts Req.
1	KK-4940	Cap	1
2	KK-4139-3	Repair Kit	1
3	—	O-Ring	
4	—	Spring	1
5	—	Disc. Stem Assembly	
6	—	Diaphragm Assembly	
7	—	Spring	1
8	KK-4138	Spring Cage and Handle Kit	1
9	—	Spring Depressor	1
10	—	Spring Cage	
11	—	Lock Nut	
12	—	Handle	

Figure 2



\*Government NSN No. 4410-00-430-4158 = HAR-555

**OPERATION**

To change adjustment, loosen lock nut (11). Turn handle (12) clockwise to increase the regulated pressure and counterclockwise to lower pressure. This is a relieving-type regulator; therefore, the reduced pressure follows adjustment of the handle.

To lock adjustment, screw the lock nut (11) down until it stops against the spring cage. Tighten lock nut (11) with a wrench.

**PARTS REPLACEMENT**

Refer to the PARTS LIST for numbers that contain the desired replacement parts. Replacement parts are sold only through kits. Use the kit part number and description when ordering replacement parts.

**PREVENTIVE MAINTENANCE**



To avoid a blast of air when installing or removing regulator, always turn off air supply and bleed off air in the tank by turning the air relief valve thumb screw counterclockwise. Wait until all the air has escaped before removing regulator.

If the air supply is kept clean, the regulator should provide long periods of uninterrupted service. Erratic regulator operation or loss of regulation is normally due to dirt in the disc area.

**Cleaning:**

**Note**

To clean, it is not necessary to remove regulator from line. Refer to Figure 2 as a guide in reassembly.



Never use carbon tetrachloride, trichloroethylene, thinner, acetone or similar solvents in cleaning parts.

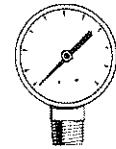
To clean, depressurize regulator and disassemble. Clean parts with denatured alcohol and blow out body with compressed air.

When reassembling, make sure the disc stem (5) fits into the center hole of the diaphragm assembly (6). Tighten spring cage (10) slightly more than handtight to 45 in. lbs. torque.

**ACCESSORY ITEMS**

**Gauges**

Part No.	Pressure Range (psi)	Thread Size
GA-73	0-30	1/4" NPT(M)
GA-288	0-160	1/4" NPT(M)
GA-333	0-100	1/4" NPT(M)



**H-2008 Hex Nipple, 1/4" NPT(M) x 1/4" NPS(M)** - Used at inlet/outlet connections for convenient hook-up.



**WARRANTY**

This product is covered by ITW DeVilbiss' 1 Year Limited Warranty. See SB-1-000 which is available upon request.

**WORLDWIDE SALES AND SERVICE - [www.devilbiss.com](http://www.devilbiss.com)**

**DeVILBISS INDUSTRIAL SPRAY EQUIPMENT**

DeVilbiss has authorized distributors throughout the world. **FOR TECHNICAL ASSISTANCE OR THE DISTRIBUTOR NEAREST YOU, CALL TOLL FREE 1-888-992-4657 (U.S.A. AND CANADA ONLY).**

**DeVILBISS AUTOMOTIVE REFINISHING**

DeVilbiss has authorized distributors throughout the world. For equipment, parts and service, check the Yellow Pages under "Automobile Body Shop Equipment and Supplies." **FOR TECHNICAL ASSISTANCE, CALL TOLL FREE 1-800-445-3988 (U.S.A. AND CANADA ONLY).**

