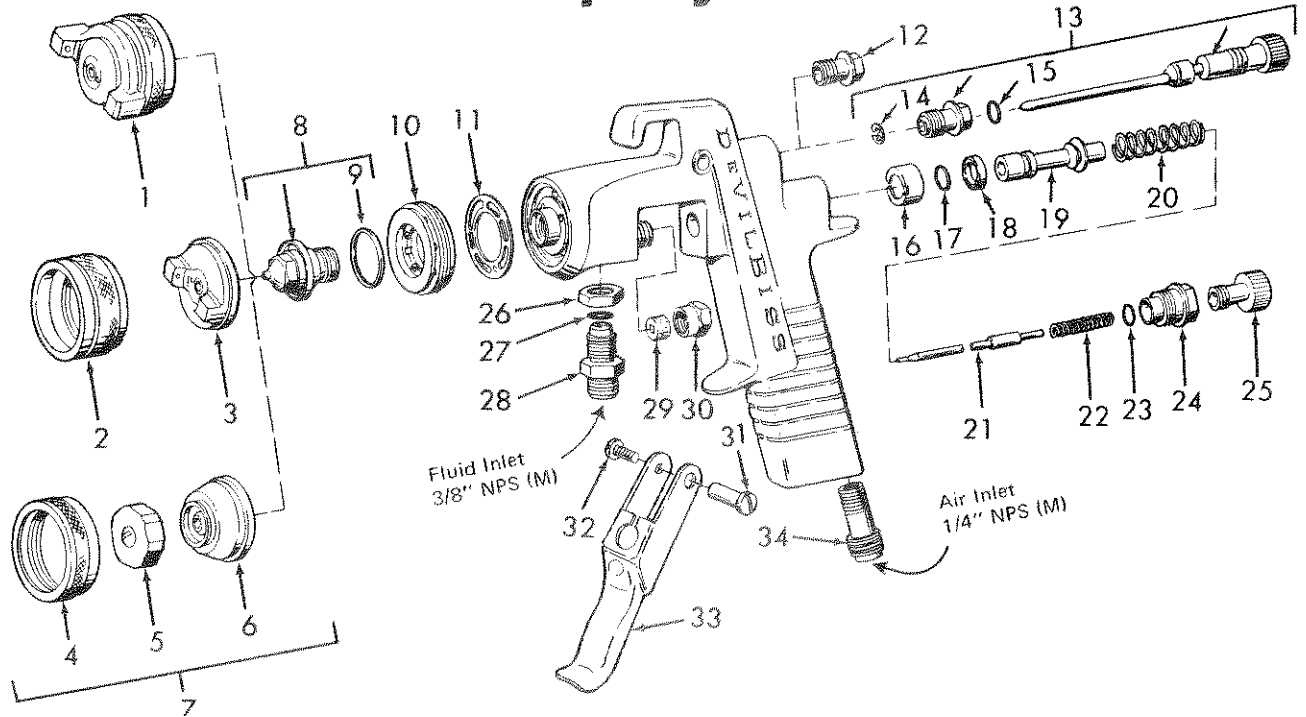


## MGB Spray Gun



Ref. No.	Part No.	Description	Qty.
1	See Note 1	Air Cap & Ring	
2	MBC-368	Retaining Ring for Ref. No. 3	} Not part of MGB gun assembly. Order separately
3	See Note 1	Air Cap	
4	MB-290	Retaining Ring for Ref. No. 5	
5	See Note 1	Air Cap (Internal Mix)	
6	33625-122	Adapter for 31733-490 Air Cap	
7	See Note 1	Air Cap, Adapter & Retaining Ring Assy. (Internal Mix)	
8	See Note 1	Fluid Tip (Hyten) & Gasket Assy.	
* 9	AV-1-K5	Gasket Kit (5)	1
10	MGB-408-1	Baffle	1
* 11	MGB-17-K5	Gasket Kit (5)	1
12	33354-111	Plug for MGB-502	1
13	MGB-405	Fan Adjustment Valve Assy.	1
* 14	SST-8405-K5	Retaining Ring Kit (5) See Note 2	} For MGB-501
* 15	SSG-8020-K5	O Ring Kit See Note 2	
16	32755-109	Bleeder Adapter for MGB-502	1
* 17	SS-2392-K5	O Ring Kit (5)	1
* 18	KK-4161	Valve Seat Kit (5)	1
19	33473-127	Push Rod	1
20	KK-4159	Spring Kit (5)	1
21	See Note 1	Fluid Needle, Stainless Steel	1
22	CGA-40-K5	Spring Kit (5)	1
* 23	KK-4158	O Ring Kit (5)	1
24	33672-122	Retaining Nut	1
25	33837-128	Adjusting Screw	1
26	JGA-51-K5	Locknut 1/2-24 Kit (5)	1
* 27	KK-4157	O Ring Kit (5)	1
28	P-JGA-2-2	Nipple	1
* 29	KK-4162	Fluid Needle Packing Kit (10)	1
30	KK-4160	Packing Gland Kit (3)	1
* 31	JGA-35-K5	Trigger Bearing Stud Kit (5)	1
* 32	A-42-K5	Screw Kit (5)	1
33	JGA-108	Trigger	1
34	P-TGA-29	Nipple	1

**FOR PARTS PURCHASE**

Contact your local distributor. See the "Yellow Pages" of your telephone directory.

**Note 1** – To order replacement, give complete description and number stamped on part.

**Note 2** – Fan adjustment valve assembly (13) was changed during the year 1975. The older assembly had the retaining ring (14) installed on the brass stem instead of the aluminum screw as illustrated in Ref. No. 13. If the gun has old style valve assembly, order 25746-009 for Ref. No. 14 and 2392-K5 for Ref. No. 15.

\*A quantity of one is included in repair kit KK-4061 for complete gun repair.

Suffixes -K3, -K5, -K10 designate kits of multiple parts.

Example: AV-1-K5 is a kit of (5) gaskets.

## MODELS

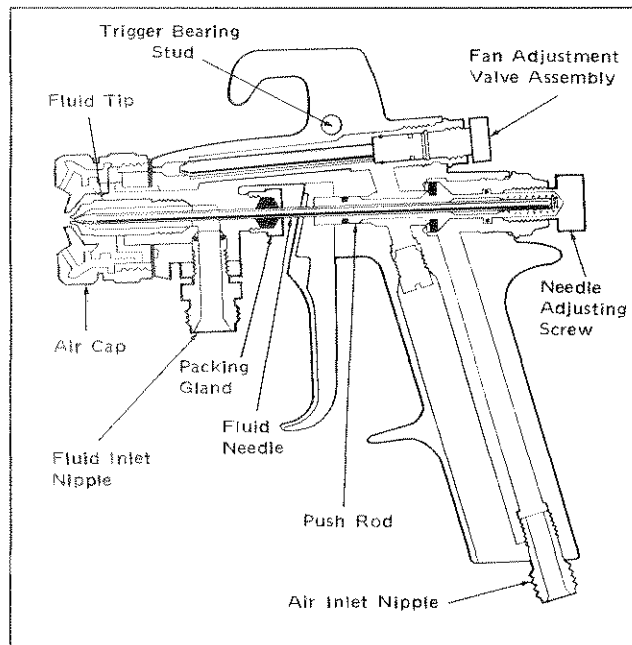
**MGB-501** for all conventional materials sprayable with external or internal mix nozzles.

**MGB-502** for use with fractional h.p. compressors not having unloader mechanisms. Uses only internal mix nozzle.

## SPECIFICATIONS

Air Inlet	1/4 NPS(M)
Fluid Inlet	3/8 NPS(M)
Fluid Tip	Hardened Alloy Steel
Fluid Needle	Stainless Steel
Gun Body	Aluminum

## CROSS SECTION VIEW



## SERVICE NOTES

For complete guide on air spray gun use, see Product Service Information Bulletin SB-2-001.

Strain material thru 60 or 90 mesh screen.

To clean air cap and fluid tip brush with a stiff bristle brush. If necessary, use a broom straw or toothpick. Never use a wire or hard instrument. This may scratch or burr holes causing a distorted spray pattern.

To clean fluid passages, pour off extra material, then flush fluid passages with a suitable solvent. Wipe exterior with solvent soaked cloth.

After gun has been cleaned and dried, apply a drop of oil on threads of fan adjustment valve (13), push rod (19) at gun body, fluid needle (21) at packing gland (30) and trigger bearing stud (31).

## ACCESSORIES

**P-H-5516 AIR ADJUSTING VALVE**

Enables user to control and reduce air usage at the gun. Ideal for low pressure spraying.

**42884-214 3/8" DIA.  
42884-215 5/8" DIA.  
CLEANING BRUSHES**

These brushes are helpful in cleaning threads and recesses of gun body.

**HD-501 HOSE CLEANER**

Hose cleaner used to clean the inside of hose and material passages of gun.

**HLE-501 AIR TRANSFORMER**

Provides regulation of atomization air to gun and removes dirt, water, and oil in air line.

**WR-103 WRENCH**

Contains all necessary tip, hose and nut sizes used on or with gun.

# THE DEVILBISS COMPANY • TOLEDO, OHIO 43692,

Division of Champion Spark Plug Company

Atlanta, Ga. • Belleville, Mi. • Cleveland, O. • Dallas, Tx. • Elmhurst, Il. • Los Angeles, Ca. • Piscataway, N.J.

The DeVilbiss Co., Ltd., Bournemouth, England • DeVilbiss (Canada) Ltd., Barrie, Ont., Canada • DeVilbiss S.A., Sao Paulo, Brazil

DeVilbiss G.m.b.H., Dietzenbach, West Germany • DeVilbiss Europa G.m.b.H., Frankfurt/Main, West Germany

DeVilbiss (Australasia) Pty. Ltd., Melbourne, Vic., Australia • DeVilbiss de Mexico, S.A. de C.V., Mexico D.F., Mexico

Toussaint-DeVilbiss & Cie., Valence (Drome), France • DeVilbiss (Japan) Co., Ltd., Tokyo, Japan

Sales and service available in principal cities throughout the World.