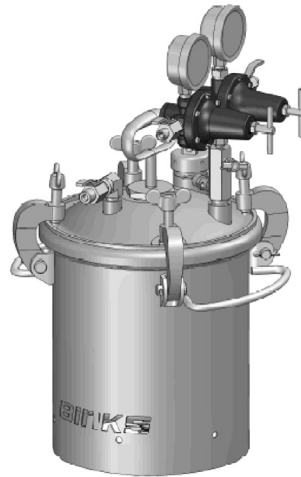




**183G (GALVANIZED) AND 183S (STAINLESS STEEL)
2-GALLON ASME TANKS – CAPACITY UP TO 2.8 GALLONS**



**Important:
Read and follow all
instructions and SAFETY
PRECAUTIONS before
using this equipment.
Retain for future
reference.**

DESCRIPTION

Binks pressure feed tanks are intended for use as a pressure container to supply material at a constant preset pressure up to a maximum of 110 psi. The tanks are built to ASME specifications.

GALVANIZED 2-GALLON MODELS

Tank Model	Regulation	Agitation
183G-200	None	None
183G-210	Single (Regulated air to tank only)	None
183G-211	Single (Regulated air to tank only)	Direct Drive
183G-213	Single (Regulated air to tank only)	Gear-reduced (Heavy-duty)
183G-220	Double (Regulated air to tank and gun)	None
183G-221	Double (Regulated air to tank and gun)	Direct Drive
183G-223	Double (Regulated air to tank and gun)	Gear-reduced (Heavy-duty)
183G-230	Extra Sensitive	None
183G-231	Extra Sensitive	Direct Drive
183G-233	Extra Sensitive	Gear-reduced (Heavy-duty)
183G-240	Extra Sensitive w/ gun regulation	None
183G-241	Extra Sensitive w/ gun regulation	Direct Drive
183G-243	Extra Sensitive w/ gun regulation	Gear-reduced (Heavy-duty)

STAINLESS STEEL 2-GALLON MODELS

Tank Model	Regulation	Agitation
183S-200	None	None
183S-210	Single (Regulated air to tank only)	None
183S-211	Single (Regulated air to tank only)	Direct Drive
183S-213	Single (Regulated air to tank only)	Gear-reduced (Heavy-duty)
183S-220	Double (Regulated air to tank and gun)	None
183S-221	Double (Regulated air to tank and gun)	Direct Drive
183S-223	Double (Regulated air to tank and gun)	Gear-reduced (Heavy-duty)
183S-230	Extra Sensitive	None
183S-231	Extra Sensitive	Direct Drive
183S-233	Extra Sensitive	Gear-reduced (Heavy-duty)
183S-240	Extra Sensitive w/ gun regulation	None
183S-241	Extra Sensitive w/ gun regulation	Direct Drive
183S-243	Extra Sensitive w/ gun regulation	Gear-reduced (Heavy-duty)

In this part sheet, the words **WARNING**, **CAUTION** and **NOTE** are used to emphasize important safety information as follows:

WARNING

Hazards or unsafe practices which could result in severe personal injury, death or substantial property damage.

CAUTION

Hazards or unsafe practices which could result in minor personal injury, product or property damage.

NOTE

Important installation, operation or maintenance information.

WARNING

Read the following warnings before using this equipment.



READ THE MANUAL

Before operating finishing equipment, read and understand all safety, operation and maintenance information provided in the operation manual.



OPERATOR TRAINING

All personnel must be trained before operating finishing equipment.



EQUIPMENT MISUSE HAZARD

Equipment misuse can cause the equipment to rupture, malfunction, or start unexpectedly and result in serious injury.



LOCK OUT / TAG-OUT

Failure to de-energize, disconnect, lock out and tag-out all power sources before performing equipment maintenance could cause serious injury or death.



AUTOMATIC EQUIPMENT

Automatic equipment may start suddenly without warning.



PRESSURE RELIEF PROCEDURE

Always follow the pressure relief procedure in the equipment instruction manual.



KEEP EQUIPMENT GUARDS IN PLACE

Do not operate the equipment if the safety devices have been removed.



KNOW WHERE AND HOW TO SHUT OFF THE EQUIPMENT IN CASE OF AN EMERGENCY



WEAR SAFETY GLASSES

Failure to wear safety glasses with side shields could result in serious eye injury or blindness.



INSPECT THE EQUIPMENT DAILY

Inspect the equipment for worn or broken parts on a daily basis. Do not operate the equipment if you are uncertain about its condition.



NEVER MODIFY THE EQUIPMENT

Do not modify the equipment unless the manufacturer provides written approval.



NOISE HAZARD

You may be injured by loud noise. Hearing protection may be required when using this equipment.



PROJECTILE HAZARD

You may be injured by venting liquids or gases that are released under pressure, or flying debris.



PINCH POINT HAZARD

Moving parts can crush and cut. Pinch points are basically any areas where there are moving parts.



STATIC CHARGE

Fluid may develop a static charge that must be dissipated through proper grounding of the equipment, objects to be sprayed and all other electrically conductive objects in the dispensing area. Improper grounding or sparks can cause a hazardous condition and result in fire, explosion or electric shock and other serious injury.



WEAR RESPIRATOR

Toxic fumes can cause serious injury or death if inhaled. Wear a respirator as recommended by the fluid and solvent manufacturer's Safety Data Sheet.



TOXIC FLUID & FUMES

Hazardous fluid or toxic fumes can cause serious injury or death if splashed in the eyes or on the skin, inhaled, injected or swallowed. LEARN and KNOW the specific hazards or the fluids you are using.



FIRE AND EXPLOSION HAZARD

Improper equipment grounding, poor ventilation, open flame or sparks can cause a hazardous condition and result in fire or explosion and serious injury.



MEDICAL ALERT

Any injury caused by high pressure liquid can be serious. If you are injured or even suspect an injury:

- Go to an emergency room immediately.
- Tell the doctor you suspect an injection injury.
- Show the doctor this medical information or the medical alert card provided with your airless spray equipment.
- Tell the doctor what kind of fluid you were spraying or dispensing.



GET IMMEDIATE MEDICAL ATTENTION






To prevent contact with the fluid, please note the following:

- Never point the gun/valve at anyone or any part of the body.
- Never put hand or fingers over the spray tip.
- Never attempt to stop or deflect fluid leaks with your hand, body, glove or rag.
- Always have the tip guard on the spray gun before spraying.
- Always ensure that the gun trigger safety operates before spraying.

IT IS THE RESPONSIBILITY OF THE EMPLOYER TO PROVIDE THIS INFORMATION TO THE OPERATOR OF THE EQUIPMENT. FOR FURTHER SAFETY INFORMATION REGARDING THIS EQUIPMENT, SEE THE GENERAL EQUIPMENT SAFETY BOOKLET (77-5300).

2-GALLON ASME TANKS – SAFEGUARDS

The following hazards may occur during the normal use of this equipment. Please read the following chart.

HAZARD	CAUSE	SAFEGUARDS
<p>Fire</p> 	<p>Solvents and coatings can be highly flammable or combustible, especially when sprayed.</p>	<ol style="list-style-type: none"> 1. Adequate exhaust must be provided to keep the air free of accumulations of flammable vapors. 2. Smoking must never be allowed in the spray area. 3. Fire extinguishing equipment must be present in the spray area.
<p>Fire – Pressure tank</p> 	<p>Vapors from flammable liquids can catch fire or explode.</p>	<p>Keep tank at least 10 feet away from sources of ignition. Ignition sources include hot objects, mechanical sparks, and arcing (non -explosion proof) electrical equipment.</p>
<p>Explosion Hazard – Pressure Tank – Static Electricity</p> 	<p>Static electricity is created by the flow of fluid through the pressure tank and hose. If all parts are not properly grounded, sparking may occur. Sparks can ignite vapors from solvents and the fluid being sprayed.</p>	<ol style="list-style-type: none"> 1. Ground the pressure tank by connecting one end of 12 gauge (minimum) ground wire to the pressure tank and the other end to a true earth ground. Local codes may have additional grounding requirements. 2. See illustration on page 6 for grounding and grounding hardware required.
<p>Explosion Hazard – Pressure Tank – Rupture</p> 	<p>Making changes to a pressure tank will weaken it.</p>	<ol style="list-style-type: none"> 1. Never drill into, weld, or modify the tank in any way. 2. Do not adjust, remove, or tamper with the safety valve. If replacement is necessary, use the same type and rating of valve.
<p>Explosion Hazard – Galvanized Tanks – Material Compatibility</p> 	<p>Halogenated hydrocarbon solvents – for example 1-1-1 Trichloroethane and methylene chloride – can chemically react with aluminum parts and components and cause an explosion hazard. These solvents will also corrode the galvanized tank coating.</p>	<ol style="list-style-type: none"> 1. Read the label or data sheet for the material. Do not use materials containing these solvents with galvanized pressure tanks. Stainless steel tank models may be used with halogenated solvents. 2. Refer to specifications chart to ensure that fluids are chemically compatible with the tank wetted parts. Before placing fluids or solvents in tank, always read accompanying manufacturer’s literature.
<p>General Safety</p>	<p>Improper operation or maintenance may create a hazard.</p>	<p>Operators should be given adequate training in the safe use and maintenance of the equipment (in accordance with the requirements of NFPA-33, Chapter 15 in U.S.) Users must comply with all local and national codes governing ventilation, fire precautions, operation, maintenance, and housekeeping (in the U.S., these are OSHA sections 1910.94 and 1910.107, and NFPA-33.</p>

<p>⚠ WARNING</p> <p>High pressure can cause serious injury.</p> <p>Pressure is maintained in a pressure tank after the system has been shut down.</p> <p>Always follow this procedure to relieve pressure from the tank.</p>	<p>PRESSURE RELIEF PROCEDURE</p> <p>To reduce the risk of injury, follow the pressure relief procedure below</p> <ul style="list-style-type: none"> • Before checking or servicing any part of the spray system • Before attempting removal of fill port cap or tank cover • Whenever the tank is left unattended <ol style="list-style-type: none"> 1. Turn off the main air supply to the tank. 2. Close the air inlet valve located on the tank air manifold. 3. Bleed off air in the tank by turning the air relief valve (5) thumb screw counterclockwise. Wait until all the air has escaped through the valve before removing the pressure tank cover or fill port cap. 4. Leave the air relief valve open until you have reinstalled the tank cover or fill port cap.
--	--

2-GALLON ASME TANKS – SPECIFICATIONS & OPTIONS

SPECIFICATIONS		
	GALVANIZED TANKS	STAINLESS STEEL TANKS
Maximum Working Pressure	110 psi	110 psi
Tank Shell	SA-414 Steel, Galvanized (Zinc)	304 Stainless Steel
Tank Lid	SA-414 Steel, Galvanized (Zinc)	304 Stainless Steel
Fluid Tube	3/8 in. Steel Pipe, Galvanized	3/8 in. SS Pipe, 316 Stainless Steel
Fluid Outlet (Elbow)	Steel, Zinc Plate	316 Stainless Steel
Fluid Valve, Outlet	Brass, Nickel Plate 3/8-18 NPS(M)	316 Stainless Steel 3/8-18 NPS(M)
Agitator Paddle/Propeller	Nylon, Glass Filled	Nylon, Glass Filled
Agitator Shaft	Steel, Zinc Plate	303 Stainless Steel
Agitator Shaft Seal	Engineered PTFE, Stainless Steel	Engineered PTFE, Stainless Steel
Air Manifold	Steel, Zinc Plate	Steel, Zinc Plate
Plug (Air Manifold Coupling)	Steel, Zinc Plate	18-8 Stainless Steel
Bottom Outlet (Optional Kit)	304 Stainless Steel 3/4-14 NPS(M)	304 Stainless Steel 3/4-14 NPS(M)

AIR CONTROL OPTIONS	
TYPE	APPLICATION
No Regulation (Air inlet pressure gauge only)	Holding tanks, Transfer tanks, Used where precision fluid pressure control is not required.
Standard Single Regulation	Provides standard fluid pressure control only. For use where precision control of both fluid and air pressures is not required. Also Used where atomization air can be taken from filter/regulator air lines.
Standard Double Regulation	Precision control for use with materials that are best applied at low, closely controlled, fluid and atomization air pressures. Used with portable air compressors or with air lines when no other means of air pressure regulation is available.
Extra Sensitive Regulation	Provides extremely accurate, low pressure, fluid pressure control
Extra Sensitive Regulation with Standard Gun Regulation	Provides extremely accurate, low pressure, fluid pressure control plus precision control of spray gun atomizing air.

AGITATION OPTIONS	
TYPE	APPLICATION
No Agitation	Materials that require minimal or no mixing and/or readily hold any solids in suspension.
Direct Drive Agitation	Low to medium viscosity materials that require mixing and/or solids suspension.
Gear-reduced Drive Agitation	Heavy-duty agitator for medium to high viscosity materials that require mixing and/or solids suspension.

2-GALLON ASME TANKS – OPERATION & SERVICE CHECKS

⚠ WARNING

High pressure can cause serious injury.

Pressure is maintained in a pressure tank after the system has been shut down.

Follow the pressure-relief procedure on page 3 before opening the lid or fill port or performing maintenance on the tank.

PREPARATION

Mix and prepare material to be used according to manufacturer's instructions. Strain material through a fine mesh screen to remove lumps, skin, and foreign matter that might enter and clog fluid passages and/or spray equipment.

Follow pressure relief procedure above.

To add material to the tank, remove the lid and pour directly into the tank or container.

If desired, a U.S. or metric 1 gallon pail of fluid can be placed directly into the tank.

Replace the lid assembly and tighten thumb screws (17) securely.

The air supply to the tank should include a filter/water separator to filter dirt from the air and remove water and oil.

Connect the material hose to the fluid outlet ball valve (8).

OPERATION

1. Close the air inlet valve to tank. Turn handle on regulator counterclockwise until spring tension is relieved.
2. Turn on air supply to the tank.
3. Open the air inlet valve to the tank.
4. Open the fluid outlet valve.
5. Turn handle on tank pressure regulator clockwise to pressurize tank.
6. Turn on atomization air to spray gun at source of supply.
7. Test spray. For further instructions consult literature provided with spray gun.
8. If an air motor driven agitator is used, start the agitator by slowly opening up the needle valve. Air motor speed should be regulated according to the nature of the material being agitated.
5. Loosen spray gun air cap retaining ring about three turns.
6. Turn on air supply.
7. Cup cloth over air cap on the gun and pull trigger. This will force material back through the hose into the tank.
8. Empty and clean tank and parts that come into contact with material. Use a solvent compatible with material being used.
9. Pour solvent into tank.
10. Replace lid and tighten thumb screws and clamps.
11. Spray until clean solvent appears.
12. Repeat steps 4 through 8.

MAINTENANCE

To clean equipment, proceed as follows:

1. Turn off the air supply.
2. Follow the pressure relief procedure.
3. Turn T-handle adjusting screw on tank fluid pressure regulator counterclockwise until no spring pressure is felt.
4. Loosen thumb screws (17), tip clamps (16) back and tip lid (11) to one side of tank. Do not remove lid from tank.

LUBRICATION – Agitated Models

Refer to the service manual provided with the air motor for lubrication information.

The bearings in the agitator bearing assembly are impregnated with special non-gumming oil. Additional lubrication is not required.

The agitator shaft seal does not require lubrication.

SERVICE CHECKS

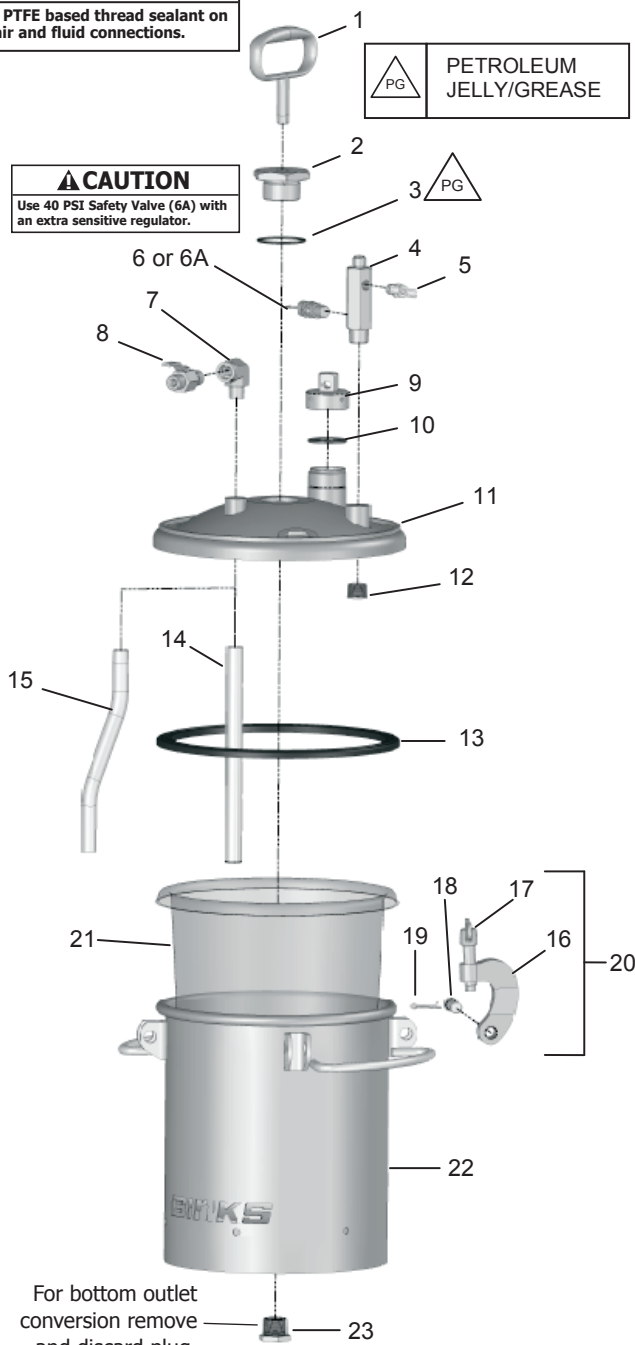
CONDITION	CAUSE	CORRECTION
Air escaping from port on regulator cap.	Broken or damaged diaphragm	Replace diaphragm.
Pressure creepage registered on gauge.	Dirty or worn valve seat in regulator.	Clean or replace valve seat.
Material tends to settle out rapidly.	Not enough agitation of material.	Increase agitation.
Air leakage at agitator seal.	Defective seal assembly.	Replace.
Paint getting into bearing assembly of agitator.	1. Paint level in tank too high. 2. Defective agitator shaft seal.	1. Keep fluid level under bearing ass'y. 2. Replace
Fluid or air leak at lid gasket.	1. Thumb screw not tight. 2. Defective lid gasket.	1. Tighten. 2. Replace.
Fluid or air leak at fill port gasket.	1. Fill port cap not tight. 2. Defective fill port gasket.	1. Tighten. 2. Replace.
Air mixing with paint	1. Fluid tube not sealed to lid. 2. Excessive agitation.	1. Tighten fluid tube into lid. 2. Reduce speed of agitator.

2-GALLON GALVANIZED AND STAINLESS STEEL TANK ASSEMBLIES

NOTE
Use PTFE based thread sealant on all air and fluid connections.

CAUTION
Use 40 PSI Safety Valve (6A) with an extra sensitive regulator.

PG
PETROLEUM
JELLY/GREASE



ITEM NO.	GALV. TANK PART NO.	S.S. TANK PART NO.	DESCRIPTION	QTY.
1	▲ QN-97	QN-97	HANDLE	1
2	QMS-2	QMS-2	PLUG (NON-AGITATED MODELS ONLY)	1
3	▲ ■ SSG-8184-K2	SSG-8184-K2	O-RING (KIT OF 2)	1
4	QMG-21	QMG-21	AIR MANIFOLD	1
5	SS-2707	SS-2707	AIR RELIEF VALVE 1/4 NPT-M	1
6	TIA-5110	TIA-5110	SAFETY VALVE ASSY, 110 PSI	1
6A	TIA-5040	TIA-5040	SAFETY VALVE ASSY, 40 PSI (EXTRA SENSITIVE ONLY)	1
7	• ---- (Brass)	SSP-1939 (S.S.)	STR ELBOW (3/8-18)	1
8	VA-540	VA-527	BALL VALVE 3/8 NPS OUTLET	1
9	83-524-K	83-524-K	FILL PORT CAP (INCL ITEM 10)	1
10	83-1207-K5	83-1207-K5	FILL PORT CAP GASKET (QTY PACK)	1
11	QMG-400-1	QMS-416-1	TANK LID	1
12	SSP-1439-ZN	20-6858	PLUG (1/2-14)	1
13	QMS-80-1	QMS-80-1	TANK GASKET 2 GAL	1
14	QMS-9-1	QMS-9-1	FLUID TUBE (DIR DRIVE AGIT)	1
15	QMG-35	QMS-53-1	FLUID TUBE (GEAR REDUCED AGIT)	1
16	----	----	CLAMP (SEE ITEM 20)	4
17	QMG-46	QMG-46	THUMBSCREW (SEE ITEM 20)	4
18	----	----	CLEVIS PIN (SEE ITEM 20)	4
19	----	----	COTTER PIN, 1/8 DIA. X 1" LG. (SEE ITEM 20)	4
20	+ KK-5013	KK-5013	CLAMP, PIN, & SCREW KIT (INCL 16, 17, 18, & 19)	4
21	PT-78-K10, K60	PT-78-K10, K60	DISPOSABLE TANK LINER (10 OR 60 EACH)	1
22	QMG-502-1	QMS-502-1	TANK & LUG ASSY	1
23	----	----	BOTTOM PLUG	1
24	▲ QMG-429	QMS-428	AIR MOTOR ASSY	1
25	▲ HAV-500-B	HAV-500-B	AIR ADJUSTING VALVE	1
26	▲ H-2008	H-2008	NIPPLE 1/4 NPS x 1/4 NPT	2
27	▲ • ----	----	STREET ELBOW (1/4-18 NPT, BRASS)	2
28	▲ ----	----	SET SCREW (1/4-20 X 1/4)	2
29	▲ # ----	----	ADAPTER (SEE ITEM 30)	1
30	▲ KK-4990	KK-4991	SEAL RETAINER KIT (INCL 28, 29, 34,35)	1
31	▲ ----	----	SHAFT SEAL 1/2 I.D. (DIR. DRIVE AGIT)	1
32	▲ ----	----	INTERNAL RETAINING RING (DIR. DRIVE AGIT)	1
33	▲ KK-5041	KK-5041	SHAFT SEAL KIT (DIR. DRIVE AGIT)	1
34	▲ • ----	----	SET SCREW (1/4-20 X 1/4) S.S.	2
35	▲ # ----	----	SHAFT COUPLING (SEE ITEM 30)	1
36	▲ QMG-56	QMS-73	AGITATOR SHAFT	1
37	▲ • ----	----	SQ HD SET SCREW, 1/4-20 X 3/8, S.S.	1
38	▲ ----	----	PROPELLOR	1
39	▲ QMS-448	QMS-448	AGITATOR PROPELLER KIT (DIR. DRIVE)	1
40	■ QMS-46	QMS-46	RETAINING NUT	1
41	■ KK-5049	KK-5049	THRUST WASHER (KIT OF 2/EA)	1
42	■ ----	----	THRUST COLLAR	1
43	■ • ----	----	SET SCREW, 5/16-18 X 3/8	1
44	■ QMS-447	QMS-447	THRUST COLLAR KIT (INCL. 42 and 43)	1
45	■ QMG-409	QMS-407	BEARING ASSY.	1
46	■ ----	----	SHAFT SEAL 5/8 I.D. (GEAR REDUCED AGIT)	1
47	■ ----	----	INTERNAL RETAINING RING (GEAR REDUCED AGIT)	1
48	■ KK-5042	KK-5042	SHAFT SEAL KIT (GEAR REDUCED AGIT)	1
49	■ QMG-15	QMS-5	AGITATOR SHAFT	1
50	■ ----	----	AGITATOR PADDLE	1
51	■ ----	----	SOC HD CAP SCREW, 5/16-18 X 1-1/4, S.S.	1
52	■ QMS-449	QMS-449	AGITATOR PADDLE KIT (INCL 51 AND 52)	1
53	31-452	31-452	AIR MOTOR/GEARBOX DRIVE	1
54	▲ HA-57011	HA-57011	AIR HOSE ASSY	1
55	SSP-30-ZN	SSP-30-ZN	SWIVEL ELBOW	1
56	*** SEE PAGES 9 & 10 ***	----	AIR CONTROL	1
57	• ----	----	PLUG, 3/8 NPT, SS (NOT SHOWN) FOR USE ONLY WITH BOTTOM OUTLET KIT. REPLACES ITEMS 7 AND 8. PURCHASE LOCALLY.	1

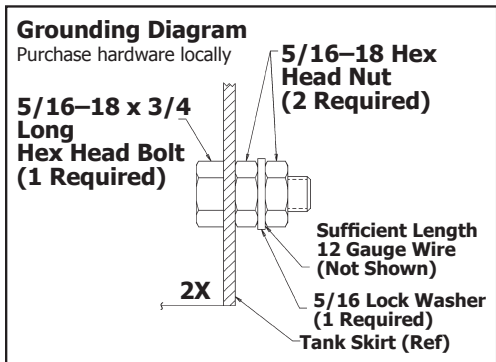
• Purchase locally.

+ KK-5013 Clamp, Pin, and Screw Kit includes 1 each of items 16, 17, 18, and 19.

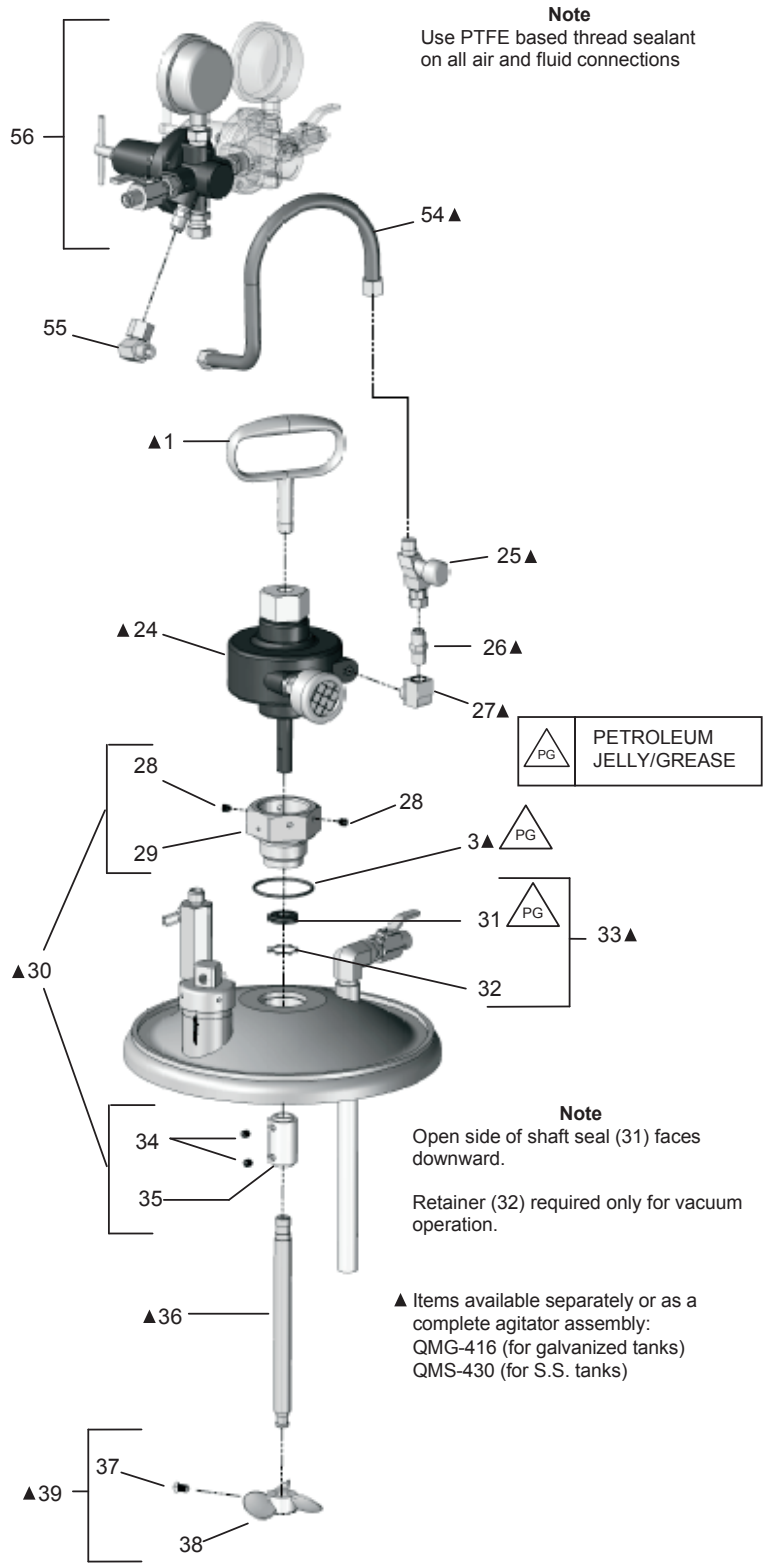
When replacing either Item Number 29 or 35, you must order KK-4990 (Galvanized) or KK-4991 (Stainless Steel) which include both parts.

▲ Items available separately or as a complete agitator assembly:
QMG-416 (for galvanized tanks)
QMS-430 (for S.S. tanks)

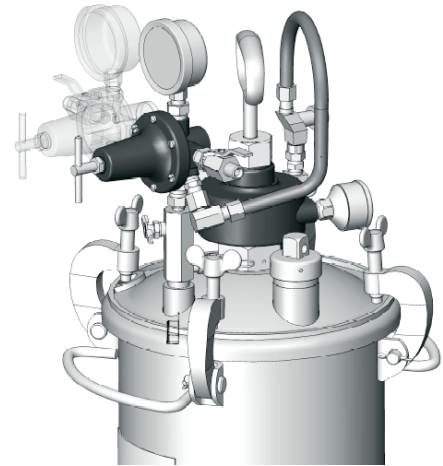
■ Items available separately or as a gear-reduced agitator (less drive):
QMG-417 (for galvanized tanks)
QMS-431 (for S.S. tanks)



DIRECT DRIVE AGITATOR



DIRECT DRIVE AGITATOR-REGULATOR HOOK-UP



STANDARD REGULATION
1 OR 2 REGULATORS



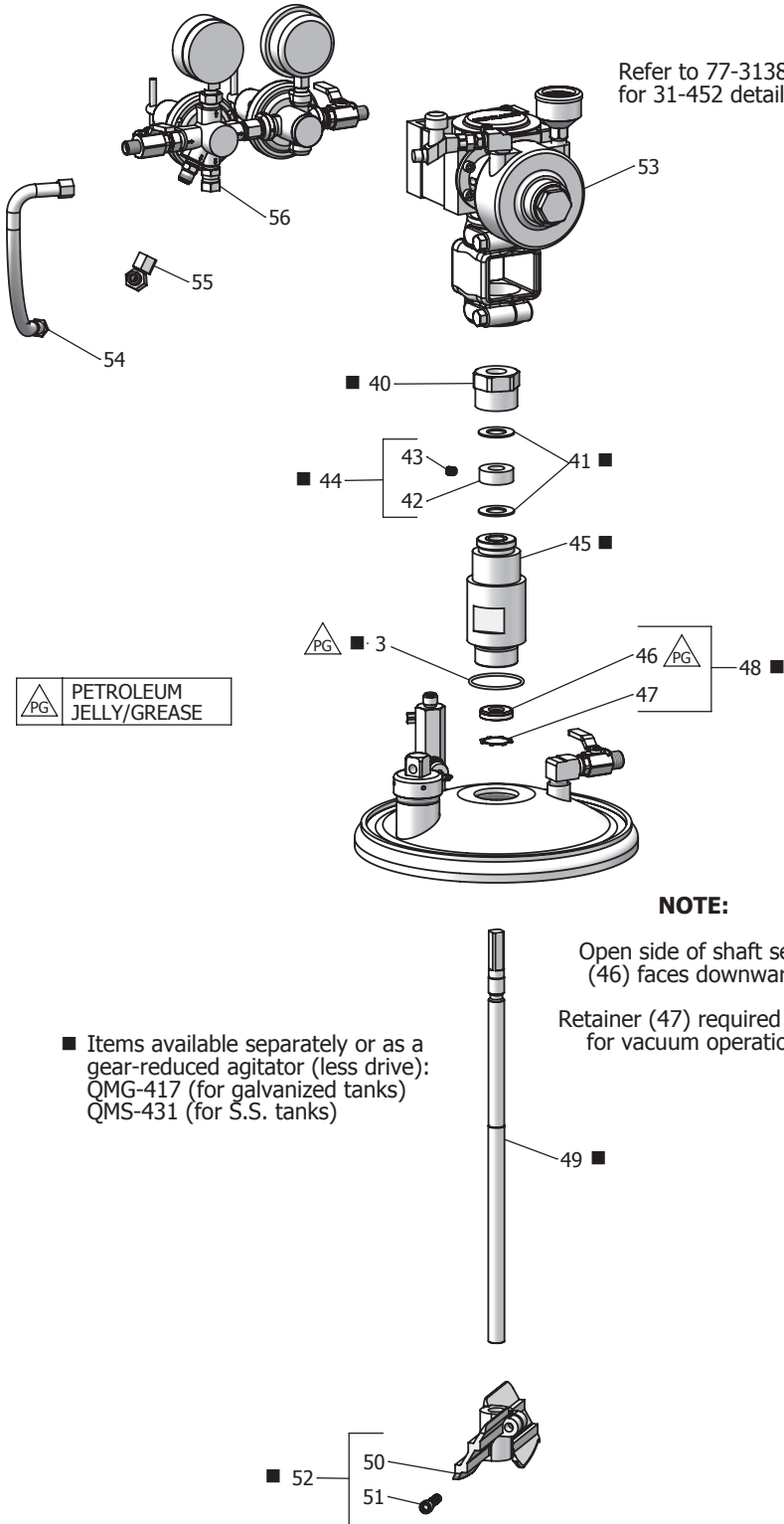
EXTRA SENSITIVE REGULATION
1 OR 2 REGULATORS
Requires 40 PSI Safety Valve

GEAR-REDUCED AGITATOR

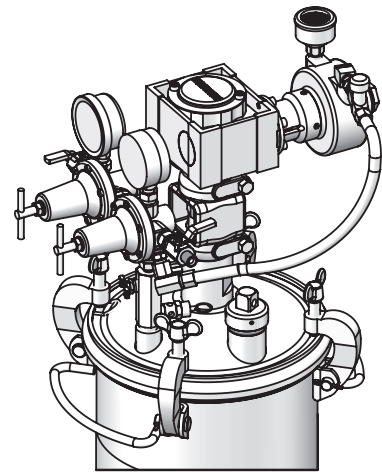
Note

Use PTFE based thread sealant on all air and fluid connections

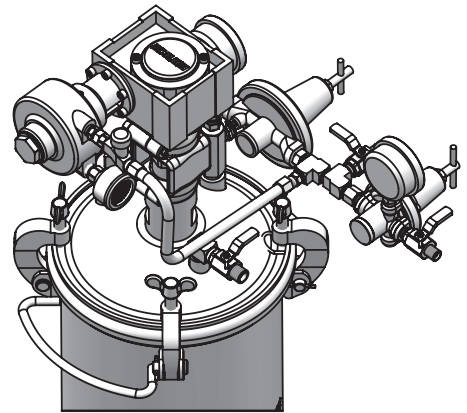
Refer to 77-3138 for 31-452 details.



GEAR-REDUCED AGITATOR-REGULATOR HOOK-UP



STANDARD REGULATION
1 OR 2 REGULATORS



EXTRA SENSITIVE REGULATION
1 OR 2 REGULATORS
Requires 40 PSI Safety Valve

2-GALLON ASME TANKS – AIR CONTROL

SINGLE REGULATOR AIR CONTROL

Control tank pressure only.

85-470 for non-agitated tanks

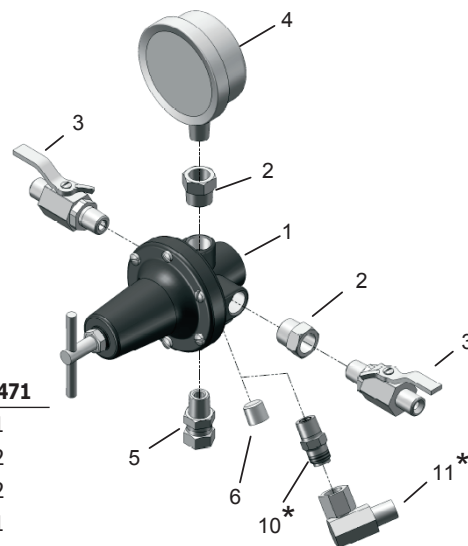
85-471 for agitated tanks

*Items with an asterisk are for use with an agitator.

ITEM NO.	PART NO.	DESCRIPTION	85-470	85-471
1	+	HAR-511 AIR REGULATOR	1	1
2		20-1753-1 BUSHING-STL-PLTD – 3/8 (m) x 1/4 (f)	2	2
3		VA-542 BALL VALVE	2	2
4		83-1290 GAUGE – 150 PSI	1	1
5		SSP-8217-ZN SWIVEL ADAPTER	1	1
6	•	----- 1/4 NPT PLUG (SUPPLIED W/ REGULATOR)	1	—
10		H-2008 NIPPLE 1/4 NPS x 1/4 NPT	—	1
11		SSP-30-ZN SWIVEL ELBOW – 1/4 NPS(m) x 1/4 NPS (sw)	—	1

• Purchase locally

+ Refer to 77-2781 for regulator service parts, Repair kit: KK-4977



DOUBLE REGULATOR AIR CONTROL

Control tank pressure and spray gun atomization pressure.

85-472 for non-agitated tanks

85-473 for agitated tanks

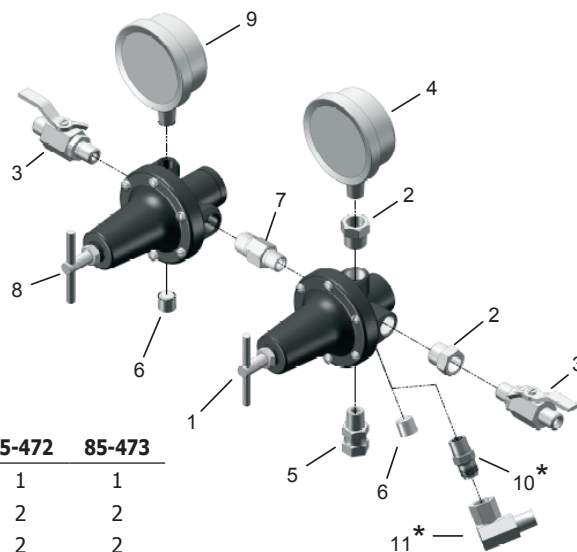
*Items with an asterisk are for use with an agitator.

ITEM NO.	PART NO.	DESCRIPTION	85-472	85-473
1	+	HAR-511 AIR REGULATOR	1	1
2		20-1753-1 BUSHING-STL-PLTD – 3/8 (m) x 1/4 (f)	2	2
3		VA-542 BALL VALVE	2	2
4		83-1290 GAUGE - 150 PSI	1	1
5		SSP-8217-ZN SWIVEL ADAPTER	1	1
6	•	----- 1/4 NPT PLUG (SUPPLIED W/ REGULATOR)	2	1
7		83-4233 D.M. NIPPLE 1/4 x 3/8	1	1
8	#	HAR-507 AIR REGULATOR	1	1
9		83-1355 GAUGE - 100 PSI	1	1
10		H-2008 NIPPLE 1/4 NPS x 1/4 NPT	—	1
11		SSP-30-ZN SWIVEL ELBOW – 1/4 NPS(m) x 1/4 NPS (sw)	—	1

• Purchase locally

+ Refer to 77-2781 for regulator service parts, Repair kit: KK-4977

Refer to SB-6-147 for regulator service parts, Repair kit: KK-4977



2-GALLON ASME TANKS – EXTRA SENSITIVE AIR CONTROL

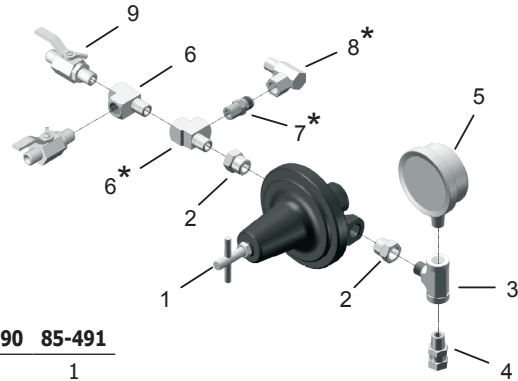
EXTRA SENSITIVE REGULATOR AIR CONTROL SINGLE REGULATOR

Provides extremely high precision control of tank pressure (only) from 0 – 30 PSI. Includes 40 PSI Safety Valve (not shown.)

85-490 for non-agitated tanks

85-491 for agitated tanks

*Items with an asterisk are for use with an agitator.



ITEM NO.	PART NO.	DESCRIPTION	85-490	85-491
1	+ HAR-501	EXTRA-SENSITIVE REGULATOR	1	1
2	20-1753-1	BUSHING-STL-PLTD – 3/8 (m) x 1/4 (f)	2	2
3	SSP-2629-ZN	MALE BRANCH TEE – 1/4NPT	1	1
4	SSP-8217-ZN	SWIVEL ADAPTER	1	1
5	83-1414	GAUGE - 30 PSI	1	1
6	• -----	1/4 NPT STREET TEE	1	2
7	H-2008	NIPPLE – 1/4 NPS x 1/4 NPT	—	1
8	SSP-ZN-30	SWIVEL ELBOW – 1/4 NPS(m) x 1/4 NPS (sw)	—	1
9	VA-542	BALL VALVE	2	2
10	TIA-5040	SAFETY VALVE, 40 PSI (NOT SHOWN)	1	1

• Purchase locally

+ Refer to SB-6-131 for regulator service parts, Repair kit: KK-4200

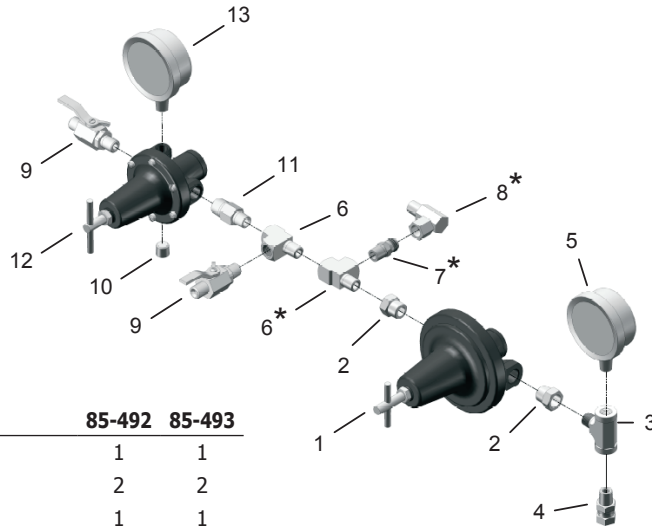
EXTRA SENSITIVE REGULATOR AIR CONTROL DOUBLE REGULATOR

Provides extremely high precision control of tank pressure plus standard regulation for a spray gun. Includes 40 PSI Safety Valve (Not shown.)

85-492 for non-agitated tanks

85-493 for agitated tanks

*Items with an asterisk are for use with an agitator.



ITEM NO.	PART NO.	DESCRIPTION	85-492	85-493
1	+ HAR-501	EXTRA-SENSITIVE REGULATOR	1	1
2	20-1753-1	BUSHING-STL-PLTD – 3/8 (m) x 1/4 (f)	2	2
3	SSP-2629-ZN	MALE BRANCH TEE – 1/4NPT	1	1
4	SSP-8217-ZN	SWIVEL ADAPTER	1	1
5	83-1414	GAUGE - 30 PSI	1	1
6	• -----	1/4 NPT STREET TEE	1	2
7	H-2008	NIPPLE – 1/4 NPS x 1/4 NPT	—	1
8	SSP-ZN-30	SWIVEL ELBOW – 1/4 NPS(m) x 1/4 NPS (sw)	—	1
9	VA-542	BALL VALVE	2	2
10	• -----	1/4 NPT PLUG (SUPPLIED W/ REGULATOR)	2	2
11	83-4233	D.M. NIPPLE 1/4 x 3/8	1	1
12	# HAR-507	AIR REGULATOR	1	1
13	83-1355	GAUGE – 100 PSI	1	1
14	TIA-5040	SAFETY VALVE, 40 PSI (NOT SHOWN)	1	1

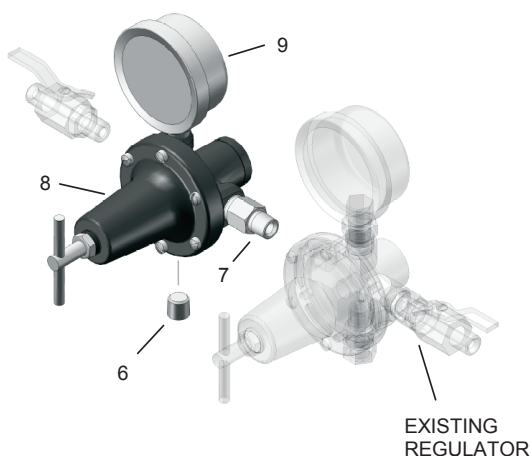
• Purchase locally

+ Refer to SB-6-131 for regulator service parts, Repair kit: KK-4200

Refer to SB-6-147 for regulator service parts, Repair kit: KK-4977

85-469 CONVERSION TO DOUBLE REGULATOR ASSEMBLY KIT

Convert standard single regulator or extra-sensitive air control to a double regulator air control.



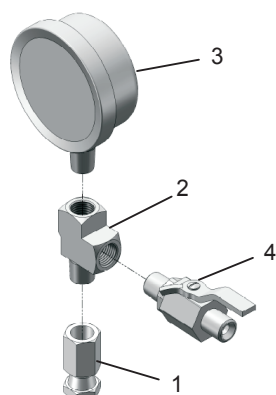
ITEM NO.	PART NO.	DESCRIPTION	QTY.
6	• —	1/4 NPT PLUG (SUPPLIED W/ REGULATOR)	1
7	83-4233	D.M. NIPPLE 1/4 x 3/8	1
8	+ HAR-507	AIR REGULATOR	1
9	83-1355	GAUGE – 100 PSI	1

•Purchase locally

+Refer to SBBI-6-147 for regulator service parts, Repair kit: KK-4977

QMS-4003 NO REGULATION KIT

Use when fluid pressure in tank is regulated by some other, separate, method of control.



ITEM NO.	PART NO.	DESCRIPTION	QTY.
1	• —	ADAPTER, 1/4 NPT(F) X 1/4 NPS (SW)	1
2	• —	STREET TEE	1
3	83-1290	GAUGE, 150 PSI	1
4	VA-542	BALL VALVE	1

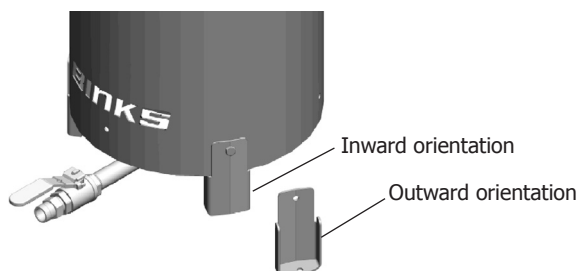
•Purchase locally

BOTTOM OUTLET KIT

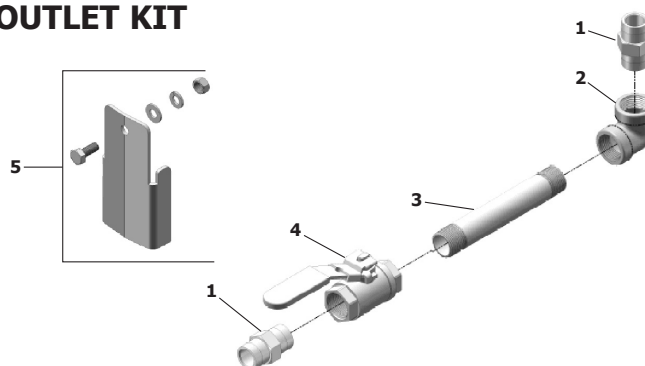
BOTTOM OUTLET KIT WITH LEGS

Allows conversion of tank from standard top outlet to bottom outlet. All bottom outlet wetted parts are stainless steel.

183-3000 for 2-gallon tanks with 3/4" bottom outlets. Includes three 183-3005 Leg Kits.



Legs can be oriented either inward or outward to provide flexibility in mounting.

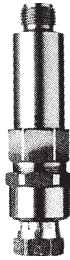


ITEM NO.	PART NO.	DESCRIPTION	QTY.
1	—	ADAPTER, 3/4 NPT-NPS UNIVERSAL	2
2	—	ELBOW, 3/4 NPT (F)	1
3	—	PIPE NIPPLE	1
4	—	BALL VALVE, 3/4 NPT FULL PORT	1
5	183-3005	LEG KIT	3

ACCESSORIES

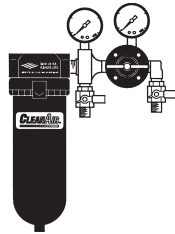
**VS-534
FLUID STRAINER**

Primary fluid strainer that attaches between fluid outlet valve and fluid hose to strain material. Components made of stainless steel with a nylon filter. Comes standard with 100-mesh screen. For more information see SBBI-7-072.



**HFRL-508, HFRL-509
CLEAN AIR™ CONTROL UNITS**

These units are designed to remove dirt, pipe scale and most liquid aerosol. Includes an automatic drain which expels liquids which accumulate in the filter bowl.



**29-3100 SCRUBS®
HAND CLEANER TOWELS**

Scrubs® are a pre-moistened hand cleaner towel for painters. No water is needed.



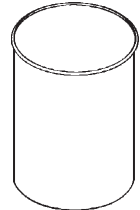
**QMG-35 GALVANIZED BENT FLUID TUBE OR
QMS-53-1 STAINLESS STEEL BENT FLUID TUBE
QMS-79 SHORTER PROFILE AGITATOR PADDLE**

If air bubbles form in material, a shorter paddle and bent fluid tube takes the intake farther away from the agitator.

DISPOSABLE TANK LINERS

Molded polyethylene tank liners reduce solvent waste and tank cleanup time. The liner is made of tough, durable, leakproof poly-ethylene and can be used with all compatible materials.

PT-78-K10 Kit of 10 tank liners
PT-78-K60 Kit of 60 tank liners

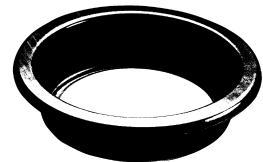


**PROSPECTOR™ PRESSURE TANK STRAINERS
FOR 2 GALLON TANKS**

Prospector™ strainers are an economical way to remove foreign material from paint, stain, lacquer and coatings.

Inner Diameter8.75" (222.25mm)
Outer Diameter10.625" (269.87mm)
Height/Depth2.625" (66.67mm)
Case Qty.....20

- PTS-2Gal-K20-200**..... 200 micron
(approx. 65 wire mesh)
- PTS-2Gal-K20-400**..... 400 micron
(approx. 37 wire mesh)
- PTS-2Gal-K20-600**..... 600 micron
(approx. 28 wire mesh)



NOTES

WARRANTY POLICY

This product is covered by Carlisle Fluid Technologies' materials and workmanship limited warranty. The use of any parts or accessories, from a source other than Carlisle Fluid Technologies, will void all warranties. Failure to reasonably follow any maintenance guidance provided may invalidate any warranty.

For specific warranty information please contact Carlisle Fluid Technologies.

Carlisle Fluid Technologies is a global leader in innovative finishing technologies. Carlisle Fluid Technologies reserves the right to modify equipment specifications without prior notice.

DeVilbiss®, Ransburg®, ms®, BGK®, and Binks®
are registered trademarks of Carlisle Fluid Technologies, Inc.

©2018 Carlisle Fluid Technologies, Inc.
All rights reserved.

For technical assistance or to locate an authorized distributor,
contact one of our international sales and customer support locations.

Region	Industrial / Automotive	Automotive Refinishing
Americas	Tel: 1-800-992-4657 Fax: 1-888-246-5732	Tel: 1-800-445-3988 Fax: 1-800-445-6643
Europe, Africa, Middle East, India	Tel: +44 (0)1202 571 111 Fax: +44 (0)1202 573 488	
China	Tel: +8621-3373 0108 Fax: +8621-3373 0308	
Japan	Tel: +81 45 785 6421 Fax: +81 45 785 6517	
Australia	Tel: +61 (0) 2 8525 7555 Fax: +61 (0) 2 8525 7575	

For the latest information about our products, visit www.carlisleleft.com