



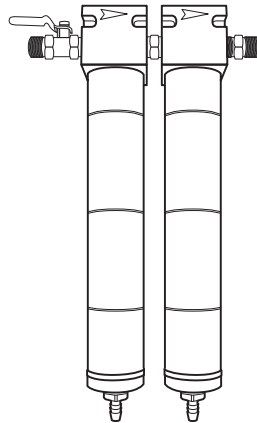
130537 TWO STAGE FILTER ASSEMBLY

DESCRIPTION

The two stage filter unit is designed to be a point of use system. It is capable of removing dirt, water, oil, liquid aerosols and sub-micron particles.

SPECIFICATIONS

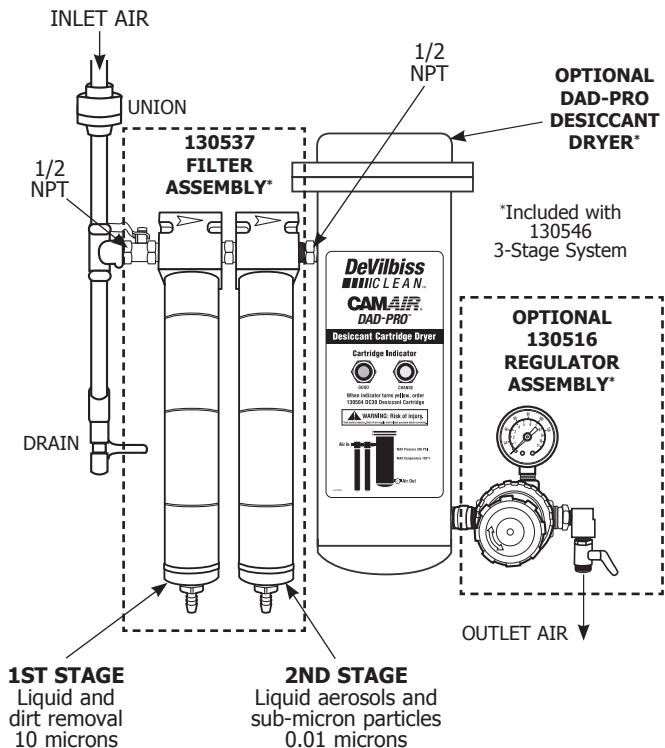
Air Flow: 50 SCFM @ 100 PSIG
Max. Pressure: 175 PSIG
Max. Temperature: 150°F



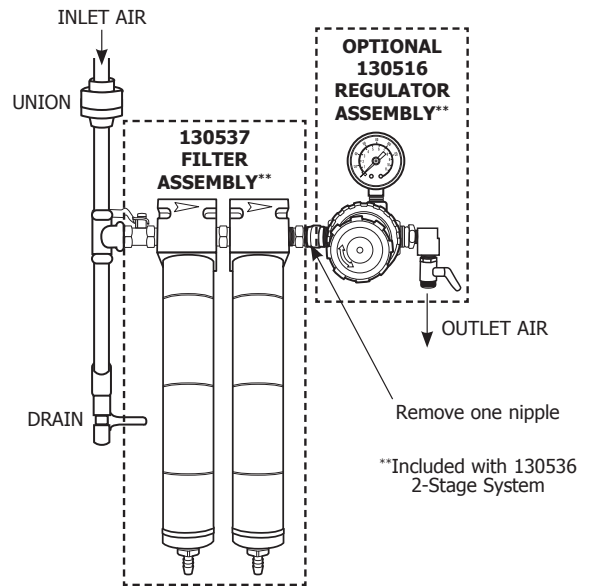
⚠ WARNING
Risk of personal injury.
Risk of property damage.

Except as otherwise specified by the manufacturer, this product is specifically designed for compressed air service and use with any other fluid (liquid or gas) is a misapplication. For example, use with or injection of certain hazardous gases in the system (such as oxygen or liquid petroleum gas) could be harmful to the unit or result in a combustible condition that may cause fire or explosion. Manufacturer's warranties are void in the event of misapplication and manufacturer assumes no responsibility for any resulting loss.

RECOMMENDED INSTALLATION INSIDE SPRAY BOOTH



ALTERNATE INSTALLATION



INSTALLATION

⚠ WARNING

Risk of personal injury. Components are under pressure. Relieve air pressure before performing any maintenance.

Option 1:

Plumb the filter assembly inline with your air system piping. Utilize the support(s) for the air system piping.

⚠ WARNING

Risk of personal injury or property damage.

⚠ CAUTION

Manufacturer assumes no responsibility for determining the adequacy of the air system piping supports for holding the filter assembly.

Option 2:

Use the universal mounting bracket (130544) to securely mount the filter assembly to a wall.

Mark the bolt holes, drill, and mount the bracket using proper hardware. When possible, try to securely attach the bracket to a wall stud for support.

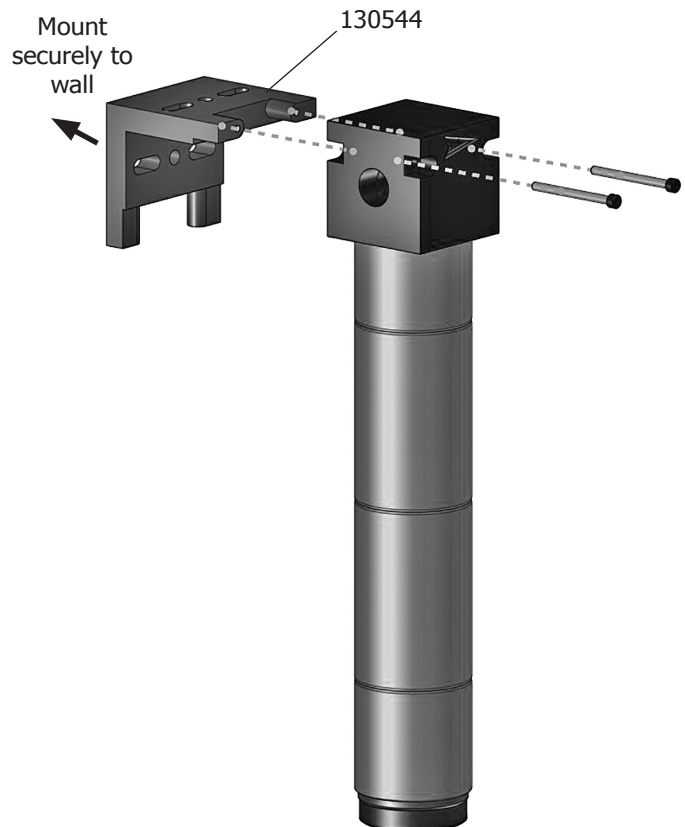
Attach the filter assembly to the bracket using the bolts supplied with the bracket.

⚠ WARNING

Risk of personal injury or property damage.

⚠ CAUTION

Manufacturer assumes no responsibility for the choice of bracket location or mounting hardware used to install the bracket.



MAINTENANCE

⚠ WARNING

Risk of personal injury. Components are under pressure. Relieve air pressure before performing any maintenance.

1st Stage Water Separator Filter: No maintenance is typically required.

2nd Stage Coalescing Filter: Replace every six months.

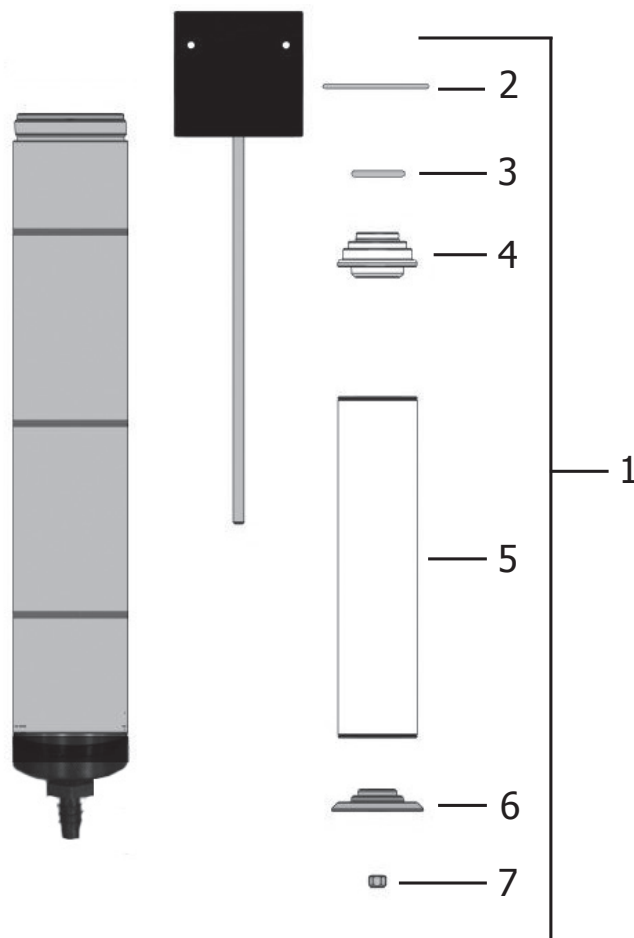
Oil Coalescing Filter Replacement

Ref No.	Replacement Part No.	Description	Ind. Parts Req.
1	130539	Oil Coalescing Filter Element (includes items 2-7)	1
2	---	Outer Tube O-ring	1
3	---	Baffle O-ring (small)	1
4	---	Top Baffle Plate	1
5	---	Grade "Z" Element	1
6	---	Bottom Baffle Plate	1
7	---	Baffle Nut	1

⚠ WARNING

Depressurize unit prior to maintenance or service.

1. Disconnect drain tubing (A) from barb fitting located on the bottom of the oil coalescing filter.
2. Unscrew tube from filter head.
3. Using a 5/16 wrench remove baffle nut from bottom of threaded rod. Remove baffle plates, O-ring and element from threaded rod.
4. Reinstall new element, baffle plates, and O-ring (small) in the order shown in figure 3. Screw baffle nut back onto threaded rod making sure there is a proper seal between the element adapter and the baffle plate before tightening. Tighten until snug so there is a tight seal between head, adapter and element. **DO NOT OVERTIGHTEN BAFFLE NUT!**
5. Remove and replace outer tube O-ring on tube. Screw outer tube back onto filter head.
6. Reconnect drain tubing to the barb fitting located at the bottom of the drain cap.



WARRANTY POLICY

DeVilbiss products are covered by Finishing Brands one year materials and workmanship limited warranty. The use of any parts or accessories, from a source other than Finishing Brands, will void all warranties. For specific warranty information please contact the closest Finishing Brands location listed below.

Finishing Brands reserves the right to modify equipment specifications without prior notice. DeVilbiss®, Ransburg®, BGK®, and Binks® are registered trademarks of Carlisle Fluid Technologies, Inc., dba Finishing Brands. ©2015 Carlisle Fluid Technologies, Inc., dba Finishing Brands. All rights reserved.



DeVilbiss Automotive Refinishing is part of Finishing Brands, a global leader in innovative spray finishing technologies. For technical assistance or to locate an authorized distributor, contact one of our sales and customer support locations below.

**DeVilbiss Sales
and Service:**
www.devilbiss.com

USA/Canada
www.autorefinishdevilbiss.com
askus@carlisleleft.com
Toll Free Tel: 1-800-445-3988
Toll Free Fax: 1-800-445-6643

Mexico
www.autorefinishdevilbiss.com.mx
Toll Free Tel: 1-888-835-6232 USA

